



NOVelite 

The logo for NOVelite features the word "NOVelite" in a white, sans-serif font. The letter "e" is highlighted in blue. To the right of the text is a graphic element consisting of a vertical line of four blue circles, with a cluster of five smaller circles in yellow, orange, and red branching out to the right.

Surse de iluminat
Corpuri de iluminat tehnic LED
Corpuri de emergență
Corpuri de iluminat tehnic
Spoturi LED
Corpuri de iluminat decorative
Aparataj și Conectică
Trasee



Șos. Alexandriei nr.76-78,
Bragadiru – Ilfov



+40 (21) 420 06 72
+40 (21) 420 06 73
+40 (21) 420 23 41
+40 (21) 420 57 62

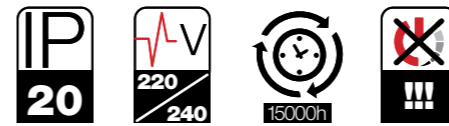


office@elbielectric.ro



www.elbielectric.ro

LED



LED



SURSE DE ILUMINAT

NOVELITE



Cod	P ₀	Dulie	Flux luminos (lm)	Temp. de culoare (K)	Formă	Unghi de dispersie	CRI	Randament luminos (lm/W)	Dimensiuni (Ø x L) mm	Clasa energie
EL0056781	7	E27	595	3000	A60	180	70	85	60x109	F
EL0056767	7	E27	630	6400				90		
EL0056782	9	E27	765	3000				85		
EL0056768	9	E27	810	6400				90		
EL0056772	12	E27	1020	3000				85		
EL0056771	12	E27	1080	6400				90		
EL0056774	15	E27	1275	3000				85		
EL0056773	15	E27	1350	6400				90		

	Cod	P ₀	Dulie	Flux luminos (lm)	Temp. de culoare (K)	Formă	Unghi de dispersie	CRI	Randament luminos (lm/W)	Dimensiuni (Ø x L) mm	Clasa energie
1	EL0056784	5	E14	425	3000	G45	180	70	85	45x79	F
	EL0056783	5	E14	450	6400				90		
	EL0056769	5	E27	425	3000				85		
	EL0056770	5	E27	450	6400				90		
	EL0071377	7	E27	595	3000				85		
	EL0071378	7	E27	630	6400				90		
2	EL0056765	5	E14	425	3000	C37	180	70	85	37x100	F
	EL0056766	5	E14	450	6400				90		
	EL0058345	5	E27	425	3000				85		
	EL0058346	5	E27	450	6400				90		
	EL0071731	7	E14	665	3000				95		
	EL0071732	7	E14	700	6400				100		
									C35		

NOVELITE

SURSE DE ILUMINAT

LED



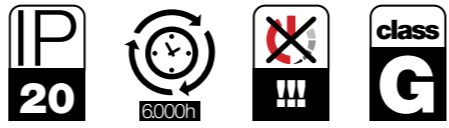
LED



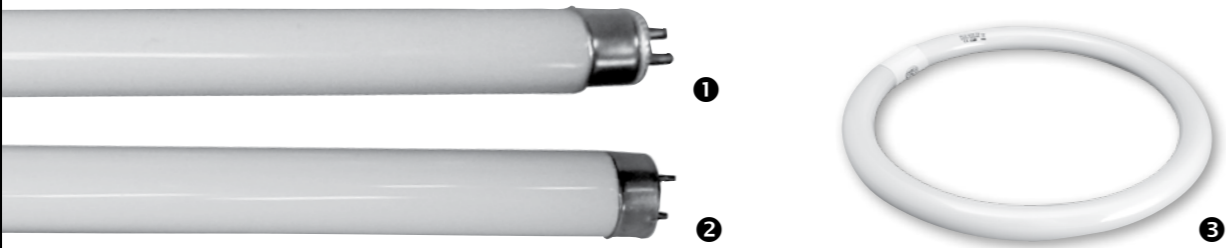
	Cod	P _(i)	Dulie	Flux luminos (lm)	Temp. de culoare (K)	Formă	Unghi de dispersie	CRI	Randament luminos (lm/W)	Dimensiuni (Ø x L) mm	Clasa energie
1	EL0034419	5	E14	400	3000	R50	180	80	80	50x83	G
	EL0056780	5	E14	425	3000				85		
	EL0056779	5	E14	450	6400				90		
2	EL0056775	5	GU10	400	3000	SPOT	100	70	80	50x57	F
	EL0056776	5	GU10	425	6400				85		
3	EL0056777	5	GU5.3	400	3000	SPOT	100	70	80	50x51	F
	EL0056778	5	GU5.3	425	6400				85		



Cod	P(i)	Dulie	Flux luminos (lm)	Temp. de culoare (K)	Unghi de dispersie	Formă	CRI	Randament luminos (lm/W)	Dimensiuni (Ø x L) mm	Clasa energie
EL0067502	9	G13	810	3000	300	T8	70	90	28x602	F
EL0059363	9	G13	855	6500				95		
EL0059958	18	G13	1620	3000				90	28x1212	
EL0059959	18	G13	1620	6500				90		
EL0067835	22	G13	1980	6500				90		



E timpul să treci pe led!
NOVELITE



	Cod	P(i)	Dulie	Flux luminos (lm)	Temp. de culoare (K)	Forma	Tensiune* (V)	Unghi de dispersie	CRI	Dimensiuni (mm) ØxL	Clasa energie			
1	EL0033194	8	G5	480	6400	T4	43,7	300	70	12x341	G			
	EL0033193	12	G5	780		T4	58,1			12x369				
2	EL0033186	10	G13	410		T8	38,2			26x345				
	EL0033185	15	G13	560		T8	48,3			26x452				
	EL0033184	18	G13	960		T8	60,9			26x604				
	EL0033183	30	G13	1720		T8	87,6			26x909				
	EL0033182	36	G13	2400		T8	103,2			26x1214				
3	EL0033581	32	G10q	1900		T9	83,5			29x300				



STALPI ILUMINAT

Cod	Înălțime (mm)	Diametru bază (mm)	Diametru varf (mm)	Dimensiune flanșă (Lxl) (mm)	Grosime (mm)	Distanța dintre găuri	Buloane compatibile
EL0019099	2800	140	76	250x250	3	177	EL0019081



LED



CORP STRADAL LED

Cod	P ₀ (W)	Flux luminos (Lm)	Curent intrare (A)	Curent iesire driver (A)	Pierderi de putere in driver (%)	Unghi dispersie	Dimensiuni Lxlxh (mm)	Diametrul consolei (mm)
EL0057493	20W	2000	0,092	0,07	±5	150°	346x152x68	40/50
EL0057494	30W	3000	0,138	0,11			346x152x68	40/50
EL0057495	45W	4500	0,207	0,16			346x152x68	40/50
EL0057496	60W	6000	0,275	0,22			436x190x68	40/50
EL0057497	75W	7500	0,343	0,27			436x190x68	40/50
EL0058546	100W	10000	0,43	0,31			534x229x78	40/50
EL0058547	120W	12000	0,53	0,36	534x229x78	40/50		

LED



PROIETTOARE LED

	Cod	Putere [W]	Flux luminos [Lm]	Temp de culoare [K]	Unghi dispersie	Dimensiuni LxIxh [mm]	Dimensiuni box LxIxh [cm]	Cantitate Buc/Box	Greutate box [kg]
1	EL0058697	10	850	6500	>100°	108x100x24	38x23.6x34.4	60	12,1
	EL0058698	20	1700			143x130x24	34x28x31.6	40	12,4
	EL0058544	30	2550			187x167x24	53.6x17.5x40.4	30	14,8
	EL0058253	50	4250			217x185x26	38.6x35x23.7	20	13,1
	EL0058254	70	5950			244x217x26	45.4x35x26.4	20	17
	EL0058255	100	8500			287x232x32	41x25.2x30.7	10	12,8
	EL0058543	150	12750			328x275x35	34.3x22.5x29.5	5	9,9
	EL0059351	200	17000			382x317x35	39.7x22.5x34	5	13,5
	EL0059352	250	21250			450x370x35	46.5x18x39	4	13,4
	EL0042016	300	25500			532x443x70	55x50x80	4	15,2
EL0068803	400	34000	555x455x50	56,5x6,8x47x,2	1	7,6			
2	EL0059353	10	8500	6500	>100°	108x155x55	52x33x36.5	60	15,1
	EL0058250	20	1700			143x180x55	51x30.6x38.6	40	10,6
	EL0058251	30	2550			187x210x45	43.6x22.5x40.4	20	11,2
	EL0059354	50	4250			217x230x45	47.8x24.5x46.4	20	14,6

LED



HIGH BAY LED

Cod	P _(n)	Flux luminos (lm)	Temp. de culoare (K)	CRI	Eficiență (lm/W)	Unghi de dispersie	Dimensiuni (mm) Ø x h
EL0042850	100W	10000	6400	>70	100	120°	276x75
EL0042851	150W	15000					330x85
EL0042852	200W	20000					370x88

LED

SLIM



LED

PANEL LED ÎNCASTRAT

	Cod	P _(i)	Flux luminos (lm)	Temp. de culoare (K)	CRI	Eficiență (lm/W)	Dimensiuni (mm) L x l x h	Culoare
1	EL0032585	20W	1400	6400	>70	70	295 x 295 x 8	Argintiu
	EL0032586			3000			295 x 295 x 8	
	EL0032587	24W	1680	6400			295 x 595 x 8	
	EL0032588			3000			295 x 595 x 8	
	EL0032589	36W	2520	6400			595 x 595 x 8	
	EL0032590			3000			595 x 595 x 8	
	EL0032591			6400			295 x 1195 x 8	
	EL0032592			3000			295 x 1195 x 8	
	EL0032593			6400			595 x 595 x 8	
	EL0032594			3000			595 x 595 x 8	
	EL0032595	48W	3360	6400			295 x 1195 x 8	
	EL0032596			3000			295 x 1195 x 8	
EL0036006			4000	595 x 595 x 8				
2	EL0037064	48W	3360	6400	>70	70	595 x 595 x 8	alb
	EL0037065			3000			595 x 595 x 8	
	EL0037066	24W	1680	3000			295 x 595 x 8	
	EL0037067			6400			295 x 595 x 8	
	EL0059361		1920	4000			295x595x8	
	EL0037068	48W	3360	6400			295 x 1195 x 8	
	EL0037069			3000			295 x 1195 x 8	
	EL0059362		3840	295x1195x8				
EL0068636	3840		4000	595x595x8				

RAMA ARGINTIE

Cod	Dimensiuni (mm) L x l
EL0032597	295 x 295
EL0032598	295 x 595
EL0032599	595 x 595
EL0032600	295 x 1195

RAMA ALBĂ

Cod	Dimensiuni (mm) L x l
EL0037070	595 x 595
EL0037071	295 x 595
EL0037072	295 x 1195
EL0057452	595 x 595

DRIVER PANEL LED

Cod	P _(i)
EL0037402	48W
EL0037403	36W
EL0037404	24W
EL0037451	20W

DIVERSE ACCESORII

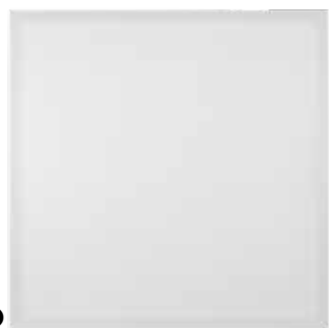
Cod	Denumire
EL0029258	cleme montaj rigips
EL0032601	kit montaj suspendat

LED



1 PANEL LED APLICAT

	Cod	P _(i)	Flux luminos (lm)	Temp. de culoare (K)	CRI	Eficiență (lm/W)	Dimensiuni (mm) L x l x h	Montaj
1	EL0068771	48W	5040	4000	80	105	595x595x45	aplicat
	EL0068781			6500			595x595x45	
2	EL0068786			4000			295x1195x45	
	EL0068788			6500			295x1195x45	



1 PANEL LED BACKLITE

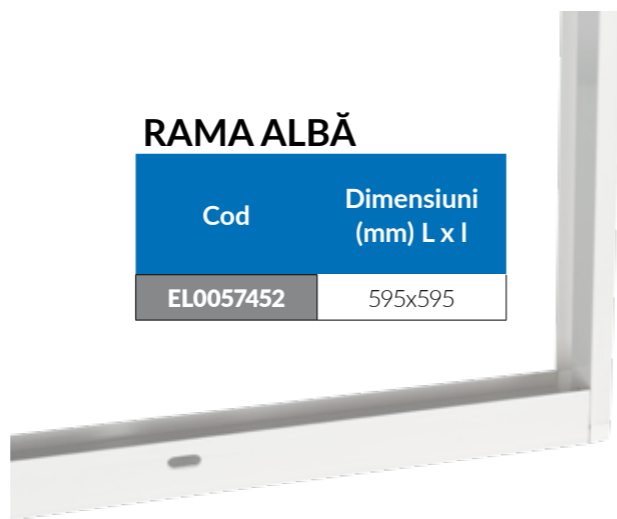
	Cod	P _(i)	Flux luminos (lm)	Temp. de culoare (K)	CRI	Eficiență (lm/W)	Dimensiuni (mm) L x l x h	Montaj
1	EL0057451	48W	3840	6500	70	80	595x595x33	încăstrat

DIVERSE ACCESORII

Cod	Denumire
EL0057492	cleme montaj rigips

RAMA ALBĂ

Cod	Dimensiuni (mm) L x l
EL0057452	595x595



LED



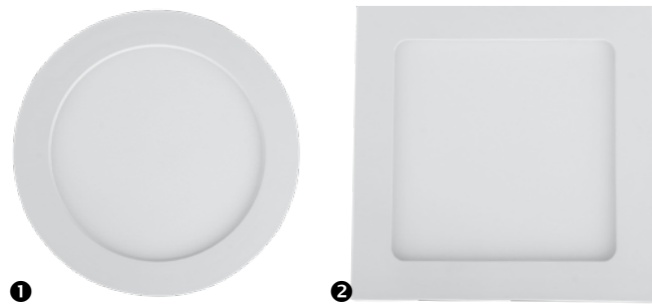
SPOT LED

	Cod	P _(i)	Flux luminos (lm)	Temp. de culoare (K)	CRI	Eficiență (lm/W)	Unghi de dispersie	Dimensiuni (mm) Ø x h	Observații
1	EL0039174	30W	2400	3000	>80	80	60°	190 x 60	fix
	EL0039175	30W	2400	4000				190 x 60	
	EL0039176	40W	3200	3000				230 x 70	
	EL0039177	40W	3200	4000				230 x 70	
2	EL0039179	24W	1920	4000	>80	80	24°	138x115	reglabil
	EL0039181	30W	2400	4000				160x115	
	EL0039183	40W	3200	4000				180x110	

LED

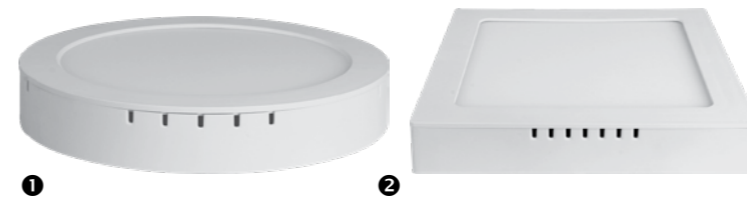


LED



SPOTURI SLIM LED ÎNCASTRATE

	Cod	P _(i)	Flux luminos (lm)	Temp. de culoare (K)	CRI	Eficiență (lm/W)	Unghi de dispersie	Dimensiuni (mm) Ø x h
1	EL0027482	6W	360	6400	>80	60	120°	115 x 15
	EL0027483	6W	360	2700				115 x 15
	EL0027484	12W	720	6400				165 x 15
	EL0027485	12W	720	2700				165 x 15
	EL0027486	20W	1200	6400				220 x 15
	EL0027487	20W	1200	2700				220 x 15
	EL0027488	20W	1200	4000				220 x 15
	EL0035816	24W	1440	6400				295 x 15
	EL0035817	24W	1440	2700				295 x 15
	EL0035818	24W	1440	4000				295 x 15
2	EL0027489	6W	360	6400	>80	60	120°	115 x 115 x 15
	EL0027490	6W	360	2700				115 x 115 x 15
	EL0027491	12W	720	6400				165 x 165 x 15
	EL0027492	12W	720	2700				165 x 165 x 15
	EL0027493	20W	1200	6400				220 x 220 x 15
	EL0027494	20W	1200	2700				220 x 220 x 15
	EL0027495	20W	1200	4000				220 x 220 x 15
	EL0035819	24W	1440	6400				295 x 295 x 15
	EL0035820	24W	1440	2700				295 x 295 x 15
	EL0035821	24W	1440	4000				295 x 295 x 15



SPOTURI SLIM LED APLICATE

	Cod	P _(i)	Flux luminos (lm)	Temp. de culoare (K)	CRI	Eficiență (lm/W)	Unghi de dispersie	Dimensiuni (mm) Ø x h
1	EL0027496	20W	1400	6400	>80	70	120°	210 x 28
	EL0027497	20W	1400	2700				210 x 28
	EL0035822	20W	1400	4000				210 x 28
	EL0035823	24W	1680	6400				285 x 28
	EL0035824	24W	1680	2700				285 x 28
	EL0035825	24W	1680	4000				285 x 28
2	EL0027498	20W	1400	6400	>80	70	120°	210 x 210 x 28
	EL0027499	20W	1400	2700				210 x 210 x 28
	EL0035826	20W	1400	4000				210 x 210 x 28
	EL0035827	24W	1680	6400				285 x 285 x 28
	EL0035828	24W	1680	2700				285 x 285 x 28
	EL0035829	24W	1680	4000				285 x 285 x 28

LED



SPOTURI LED PE ȘINĂ

	Cod	P _(i)	Flux luminos (lm)	Temp. de culoare (K)	CRI	Eficiență (lm/W)	Unghi de dispersie	Culoare
1	EL0037292	20W	1400	6400	>80	70	24°	alb
2	EL0037293	20W	1400	3000				negru
3	EL0068321	20W	1400	6400				alb
4	EL0068322	20W	1400	3000				negru

ACCESORII

Cod	Culoare	Denumire
EL0037301	alb	șină
EL0037303	negru	
EL0037304	alb	conectori îmbinare
EL0037305	negru	
EL0037306	alb	
EL0037307	negru	
EL0037308	alb	
EL0037309	negru	
EL0037310	alb	
EL0037311	negru	



CORP LED IP65

Cod	P _(i)	Flux luminos (lm)	Temp. de culoare (K)	CRI	Echipare	Material	Dimensiuni (mm) L x l x h
EL0031546	20W	1600	5000	>70	driver	PC+ABS	600 x 76 x 66 x 250
EL0031548	40W	3200					1200 x 76 x 66 x 850
EL0037058	50W	4000					1500 x 76 x 66 x 1150



CORP LED IP65 INTERCONECTABIL

Cod	P _(i)	Flux luminos (lm)	Temp. de culoare (K)	CRI	Echipare	Material	Dimensiuni (mm) L x l x h	Nr maxim de corpuri interconectabile
EL0057440	18	1620	6500	80	driver	PC	570 x 63 x 35	16 buc
EL0057441	36	3240					1170 x 63 x 35	8 buc
EL0057442	45	4050					1470 x 63 x 35	6 buc



CORP LED IP65

Cod	P _(i)	Flux luminos (lm)	Temp. de culoare (K)	CRI	Echipare	Material	Dimensiuni (mm) L x l x h
EL0067832	20	2000	6400	80	driver	PC	656x120x77
EL0067833	40	4000					1266x120x77
EL0067834	60	6000					1566x120x77



CORP LED TIP LT103

Cod	P _(i)	Flux luminos (lm)	Temp. de culoare (K)	Eficiență (lm/W)	Dimensiuni (mm) L x l x h
EL0037061	9W	550	6400	61	300 x 75 x 25
EL0032043	20W	1400		70	592 x 75 x 26
EL0032044	40W	2800		70	1192 x 75 x 26

LED



**TUBURI
LED
INCLUDE**



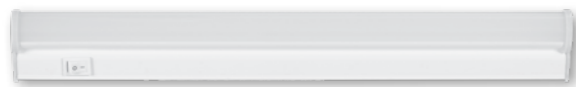
CORP LED TIP JB

Cod	P _(i)	Flux luminos (lm)	Temp. de culoare (K)	Echivalența	CRI	Eficiență (lm/W)	Dimensiuni (mm) L x l x h
EL0032647	1 x 8W	700	6500	1 x 18W	>70	87.5	610 x 33 x 45
EL0032648	1 x 8W	700	4000	1 x 18W		87.5	610 x 33 x 45
EL0032649	2 x 8W	1400	6500	2 x 18W		87.5	620 x 62 x 40
EL0032650	2 x 8W	1400	4000	2 x 18W		87.5	620 x 62 x 40
EL0032651	1 x 18W	1300	6500	1 x 36W		72.2	1215 x 33 x 45
EL0032652	1 x 18W	1300	4000	1 x 36W		72.2	1215 x 33 x 45
EL0040336	1 x 18W	1300	3000	1 x 36W		72.2	1220 x 33 x 45
EL0032653	2 x 18W	2600	6500	2 x 36W		72.2	1230 x 62 x 40
EL0032654	2 x 18W	2600	4000	2 x 36W		72.2	1230 x 62 x 40



CORP LED TIP LT106

Cod	P _(i)	Flux luminos (lm)	Temp. de culoare (K)	Eficiență (lm/W)	Dimensiuni (mm) L x l x h
EL0032045	20W	1400	6400	>70	612 x 170 x 34
EL0032046	40W	2800			1222 x 170 x 34

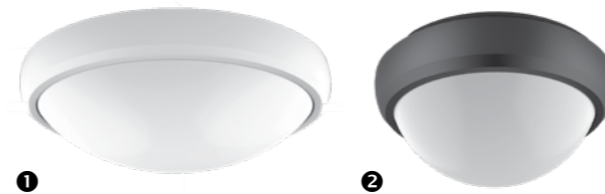


BATTEN CU ÎNTRERUPĂTOR

Cod	P _(i)	Flux luminos (lm)	Temp. de culoare (K)	CRI	Eficiență (lm/W)	Dimensiuni (mm) L x l x h
EL0037735	5W	400	6500	>70	80	305x21x36
EL0037737	9W	600			66.6	570x21x36
EL0037738	12W	850			70.8	874x21x36
EL0037739	15W	1200			80	1175x21x36



LED



CORP BAT LED

	Cod	P _(i)	Flux luminos (lm)	Temp. de culoare (K)	Eficiență (lm/W)	Culoarea	Dimensiuni (mm) L x l x h	Forma
❶	EL0032475	12W	840	6400	>70	NEGRU	242 x 165 x 96	Oval
	EL0032476	12W	840	3000		ALB	242 x 165 x 96	Oval
	EL0032477	12W	840	6400		NEGRU	242 x 165 x 96	Oval
	EL0032479	12W	840	3000		NEGRU	242 x 165 x 96	Oval
❷	EL0032484	12W	840	6400	>70	ALB	220x105	Rotund
	EL0032485	12W	840	3000		ALB	220x105	Rotund
	EL0032486	12W	840	6400		NEGRU	220x105	Rotund
	EL0032490	12W	840	3000		NEGRU	220x105	Rotund

LED



EL0039185

COD	Pictogramă pentru EL0039185	Dimensiuni (mm) L x l
EL0039186	EXIT	300 x 160
EL0039187	Exit la dreapta	300 x 160
EL0039188	Exit sus	300 x 160
EL0039189	Exit jos	300 x 160
EL0039190	HIDRANT	300 x 160



EL0039191



EL0037115

EL0037116



EL0037117



EL0041144



EL0041145



EL0039153



EL0039196



EL0041143

COD	Hologramă pentru EL0039191	Dimensiuni (mm) L x l
EL0039192	Ușă exit la dreapta	340 x 170
EL0039193	Exit sus	340 x 170
EL0039194	Exit jos	340 x 170
EL0039195	HIDRANT	340 x 170
EL0039211	EXIT	340 x 170



EL0037112



EL0037113



EL0043930



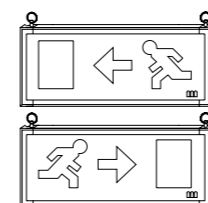
EL0043931



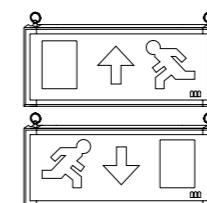
EL0043932



EL0057299



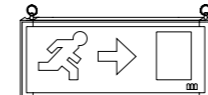
EL0057353



EL0057354



EL0057271



EL0057272



EL0057355

CORPURI EMERGENȚĂ LED

Cod	Tip	P _(n)	Autonomie (h)	Timp de reîncărcare (h)	IP	Dimensiuni (mm) L x l x h
EL0037115	Permanent	0.6W	2	18-24	40	355 x 143 x 23
EL0037116						355 x 143 x 23
EL0037117						355 x 143 x 23
EL0041144						355 x 143 x 23
EL0041145						355 x 143 x 23
EL0039185		1.8W	5	24	20	370 x 46.3
EL0039191		1W	5	24	20	350 x 42
EL0057299		2W	8h	8h	40	23 x 6.5 x 4.5
EL0039153		4.6W	3	24	65	352 x 110 x 67
EL0039196		1.8W	1.5	24	65	295 x 190 x 44
EL0041143		1.8W	3.5		40	248 x 78 x 50

Cod	Tip	P _(n)	Autonomie (h)	Timp de reîncărcare (h)	IP	Dimensiuni (mm) L x l x h	
EL0037112	Nepermanent	1.8W	3.5	20-24	40	248 x 78 x 50	
EL0037113		2 x 8W	2.5-5	24	40	355 x 80 x 80	
EL0043930		16W	1.5	20-24	40	327 x 76 x 53	
EL0043931		13W	1.5		40	246 x 76 x 51	
EL0043932		3W	3	65	355 x 118 x 85		
EL0057271		2W	8h	2h	24h	20	330 x 145 x 23
EL0057272						20	330 x 145 x 23
EL0057353						20	330 x 145 x 23
EL0057354						20	330 x 145 x 23
EL0057355						20	330 x 145 x 23
EL0057355						20	330 x 145 x 23

LED

CORPURI CU DROSER ELECTRONIC



CORP IP65

Cod	P _(i)	Soclu	Dimensiuni (mm) L x l x h
EL0044308	2x18W	G13	660 x 96 x 83
EL0044310	2x36W	G13	1260 x 96 x 83
EL0044311	2x58W	G13	1560 x 135 x 93
EL0044313	1x18W	G13	660 x 64 x 83
EL0044314	1x36W	G13	1260 x 64 x 83
EL0044315	1x58W	G13	1560 x 85 x 93



CORP ÎNCASTRAT

Cod	P _(i)	Soclu	Dimensiuni (mm) L x l x h
EL0035679	4x18W	G13	595 x 595 x 75
EL0035680	2x36W	G13	1195 x 295 x 75
EL0035681	2x18W	G13	595 x 295 x 75



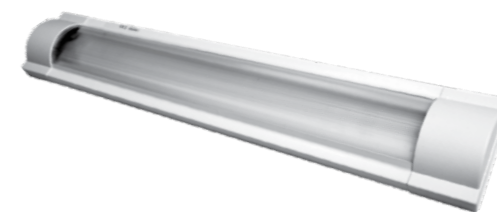
CORP APLICAT

Cod	P _(i)	Soclu	Dimensiuni (mm) L x l x h
EL0035676	4x18W	G13	612 x 603 x 75
EL0035677	2x36W	G13	1222 x 303 x 75
EL0035678	2x18W	G13	612 x 303 x 75



CORP TIP LT104

Cod	P _(i)	Soclu	Dimensiuni (mm) L x l x h
EL0017387	1X18W	G13	635 x 108 x 42
EL0017388	1X36W	G13	1245 x 108 x 42
EL0017389	2X18W	G13	635 x 152 x 48
EL0017390	2X36W	G13	1245 x 152 x 48



CORP TIP LT103

Cod	P _(i)	Soclu	Dimensiuni (mm) L x l x h
EL0017383	1X18W	G13	635 x 108 x 42
EL0017384	1X36W	G13	1245 x 108 x 42
EL0017385	2X18W	G13	635 x 152 x 48
EL0017386	2X36W	G13	1245 x 152 x 48



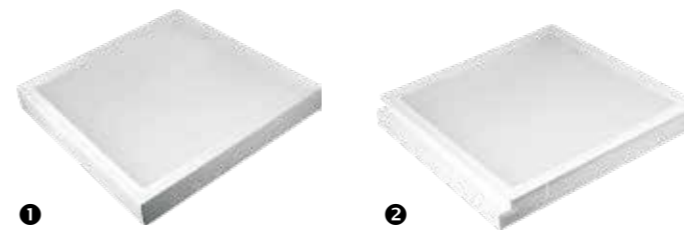
CORP TIP LT106

Cod	P _(i)	Soclu	Dimensiuni (mm) L x l x h
EL0035665	2x36W	G13	1238 x 175 x 65
EL0035666	2x18W	G13	635 x 175 x 65
EL0035668	1x18W	G13	635 x 100 x 86
EL0035669	1x36W	G13	1238 x 100 x 86



CORP TIP JB

Cod	P _(i)	Soclu	Dimensiuni (mm) L x l x h
EL0035683	1x18W	G13	626 x 51 x 35
EL0035685	2x18W		626 x 55 x 35
EL0035684	1x36W		1236 x 51 x 35
EL0035682	2x36W		1238 x 55 x 35
EL0035687	1x58W		1236 x 51 x 35
EL0035686	2x58W		1550 x 55 x 35



DISPERSOR PRISMATIC

CORPURI DISPERSOR PRISMATE

	Cod	P _(i)	Soclu	Dimensiuni (mm) L x l x h	
1	EL0028415	2x18W	G13	635 x 275 x 65	montaj aplicat
	EL0028419	2x36W		1238 x 275 x 65	
	EL0028423	4x18W		635 x 635 x 65	
2	EL0028411	2x18W	G13	595 x 295 x 75	montaj încastrat
	EL0028420	2x36W		1195 x 295 x 75	
	EL0028425	4x18W		595 x 595 x 75	



EL0041140



EL0037149



EL0037150



EL0041138



EL0041140



EL0042844



EL0041139



EL0042849



EL0037147



EL0037151



EL0037147



EL0039155



EL0037148



CORP BAT CONVENȚIONAL

Cod	P _(n)	Soclu	IP	Culoarea	Dimensiuni (mm) L x l x h
EL0037147	100W	E27	54	ALB	210 x 105 x 85
EL0037148	100W			ALB	275 x 155 x 105
EL0037149	60W			ALB	210 x 105 x 85
EL0037150	100W			ALB	230 x 105
EL0037151	60W			ALB	210 x 105 x 85
EL0039155	60W			ALB	175 x 85
EL0041138	100W			ALB	230 x 105
EL0041139	60W			ALB	230 x 105
EL0041140	60W			NEGRU	210 x 105 x 85
EL0041141	60W			ALB	210 x 105 x 85
EL0042843	60W			ALB	210 x 105 x 85
EL0042844	100W			ALB	275 x 155 x 105
EL0042849	100W			ALB	230 x 105



**PENTRU
TUBURI
LED**

CORP IP65 PENTRU TUB LED

Cod	P _(n)	Soclu	Dimensiuni (mm) L x l x h
EL0025489	1x18W	G13	666 x 68 x 58
EL0025490	2x18W		666 x 96 x 58
EL0025491	1x36W		1276 x 68 x 58
EL0025492	2x36W		1275 x 96 x 58
EL0042861	1x58W		1576 x 68 x 58
EL0042865	2x58W		1576 x 96 x 58



1 Senzori de mișcare



EL0037119



EL0037121



EL0037123 / EL0037126



EL0037124



EL0037127



EL0042842



EL0037125



EL0037384

SENZORI ȘI FOTOLENIZORI

	Cod	P _(i) (max)	IP	Unghi de detecție	Dimensiuni (mm) L x l x h
1	EL0037119	1200W	20	360°	51 x 117
	EL0037121	1200W	44	180°	83 x 65 x 95
	EL0037123	1200W		180°	140 x 83 x 115
	EL0037124	500W	20	360°	50 x 35 x 60
	EL0037125	1200W		360°	51 x 117
	EL0037126	1200W	44	180°	140 x 83 x 115
EL0037127	1200W	180°		83 x 65 x 95	
	EL0042842	1200W	65	180°	117,2 x 80 x 51,5
	EL0060692	500W	20	160°	80 x 50 x 80
2	EL0037128	1500W	44	360°	78,5x73x131
	EL0037129	1000W			90x30
	EL0037130	1200W			146x62x36
3	EL0037131	9V DC bat. pp3	20		132x126x40

2 Fotosenzori



EL0037129



EL0037130



EL0037128

3 Detector de fum



EL0037131



DIVERSE

DROSER
ELECTROMAGNETIC

Cod	P _(i)	Dimensiuni (mm) L x l x h
EL0037099	1X36W	155 x 41 x 27
EL0037106	1X18W	155 x 41 x 27

DROSER
ELECTRONIC (T8)

EL0037100	1X36W	220 x 20 x 29,5
EL0037107	2X58W	220 x 20 x 29,5
EL0039156	2X36W	220 x 20 x 29,5
EL0039158	2X18W	220 x 20 x 29,5
EL0039159	1X58W	220 x 20 x 29,5
EL0041146	1X18W	220 x 20 x 29,5



STARTER

EL0039161	4-22	
EL0037104	4-65	



DROSER ELECTRONIC CABLAT (T8)

EL0039157	20-40W	94 x 44 x 29
-----------	--------	--------------

DROSER ELECTROMAGNETIC
(VAPORI DE SODIU)

EL0037103	250W	150 x 65 x 75
EL0037105	150W	125 x 70 x 65



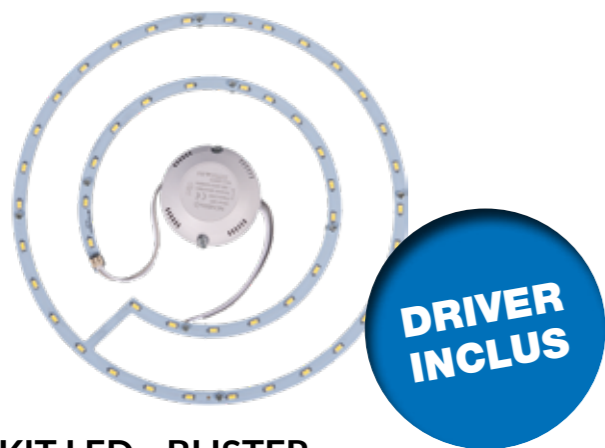
IGNITER

EL0037102	70-400W	38 x 18
-----------	---------	---------

LED



Cod produs	P(i)	Flux luminos (lm)	Temp. de culoare (K)	Unghi de dispersie	Culoare	Dimensiuni Øxh (mm)
EL0036447	15 W	1050	6500	120°	alb mat	280 x 95
EL0036448			2700			280 x 95
EL0036449	18 W	1260	6500			330 x 100
EL0036450			2700			330 x 100
EL0036452	24 W	1680	2700			380 x 110
EL0036454			6500			380 x 110



KIT LED - BLISTER

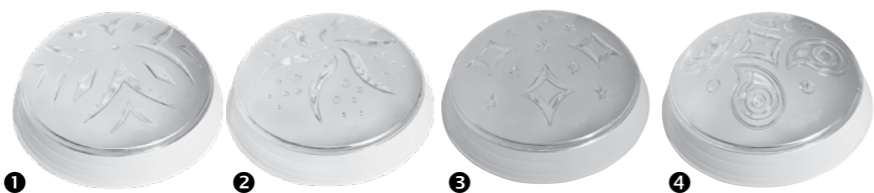
Cod produs	P _(i)	Flux luminos (lm)	Unghi de dispersie	Temp. de culoare (K)	Dimensiuni Ø (mm)
EL0036443	18W	1800	120°	6500	225
EL0036444	18W	1800		2700	225
EL0036445	24W	2160		2700	277
EL0036446	24W	2160		6500	



	Cod	P(i) _{max}	Sursă	Culoare	Material	Formă	Dispensar	Dimensiuni Øxh (mm)
❶	EL0027901	60W	E27	transparent	Policarbonat	ovală	transparent	310x100
	EL0027902			alb opac				
❷	EL0027903	60W	E27	transparent	Policarbonat	dreptunghi-lară	transparent	300x240x115
	EL0027904			alb opac				
❸	EL0027905	60W	E27	transparent	Policarbonat	ovală	transparent	280x180x110
	EL0027906			alb opac				



	Cod	P(i) _{max}	Sursă	Culoare	Material	Formă	Dispensor	Dimensiuni Øxh (mm)
1	EL0028237	2x26W	2xE27	transparent	ABS-PS	rotundă	transparent	380x90
2	EL0028238			alb opac				



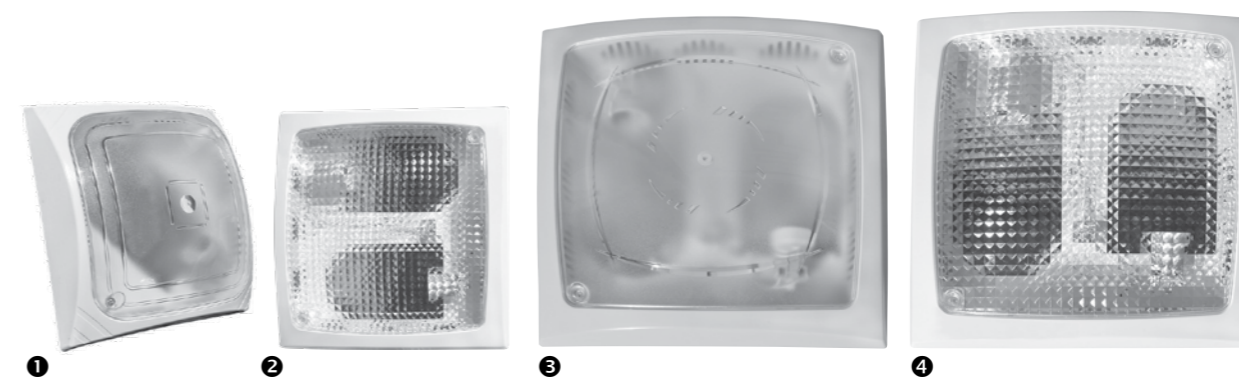
	Cod	P(i) _{max}	Sursă	Culoare	Material	Formă	Dispensor	Dimensiuni Øxh (mm)
1	EL0027907	40W	E27	alb opac	ABS- P	rotundă	transparent	235x85
2	EL0027908			alb opac				
3	EL0027909			alb opac				
4	EL0027910			alb opac				



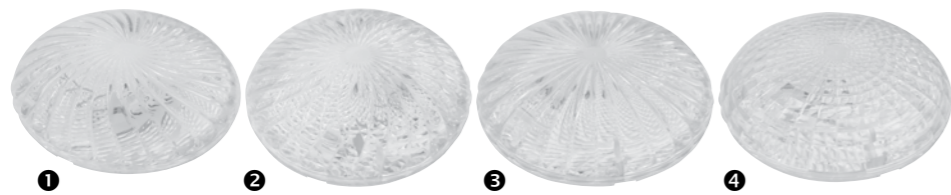
	Cod	P(i) _{max}	Sursă	Culoare	Material	Formă	Dispensor	Daimensiuni Øxh (mm)
1	EL0027911	26W	E27	alb opac	ABS- P	rotundă	transparent	300x90
2	EL0027912	26W	E27	alb opac				
3	EL0028888	2x26W	2xE27	alb opac				380x90
4	EL0028887	2x26W	2xE27	alb opac				



	Cod	P(i) _{max}	Sursă	Culoare	Material	Formă	Dispensor	Dimensiuni Øxh (mm)
1	EL0027913	40W	E27	alb opac	ABS- P	rotundă	transparent	225x85
2	EL0027914			alb opac				
3	EL0027915			alb opac				
4	EL0027916			alb opac				
5	EL0027917	40W	E27	alb opac	ABS- P	rotundă	transparent	213x83
6	EL0027918			alb opac				



	Cod	P(i) _{max}	Sursă	Culoare	Material	Formă	Dispensor	Daimensiuni Lxlxh (mm)
1	EL0027925	30W	E27	alb opac	ABS- P	pătrat	transparent	240x240x90
2	EL0027926	30W		alb opac				
3	EL0027927	2x26W	2xE27	alb opac				340x340x90
4	EL0027928	2x26W		alb opac				



Cod	P(i) _{max}	Sursă	Culoare	Material	Formă	Dispensur	Dimensiuni Øxh (mm)
EL0028239	32W	T9	alb opac	ABS- P	rotund	transparent	324x85
EL0028240	32W		alb opac				
EL0028241	32W		alb opac	ABS- PS			
EL0028242	32W		alb opac				



	Cod	P(i) _{max}	Sursă	Culoare	Material	Formă	Dispensur	Dimensiuni Lxlxh (mm)
1	EL0027919	26W	E27	alb opac	ABS- P	oval	transparent	270x160x85
2	EL0027920	26W						
3	EL0027921	26W						
4	EL0027922	26W						
5	EL0027923	40W				dreptunghi		265x110x85
6	EL0027924	40W						
7	EL0028235	26W				patrat		200x160x85
8	EL0028234	26W				semicircular		225x130



EL0040962



EL0031527



EL0031531



EL0031517 -EL0031520



EL0031521



EL0031522



EL0031533



EL0031524



EL0031526



EL0031532

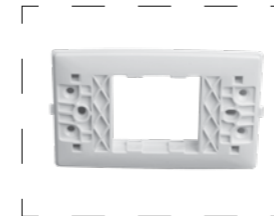
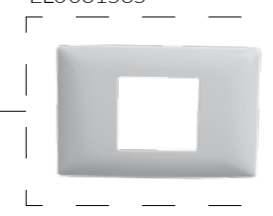
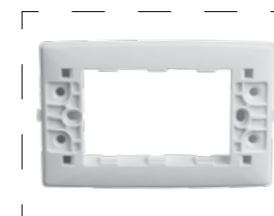
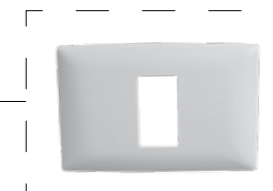
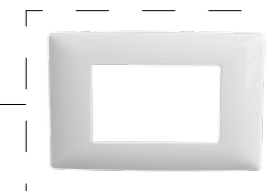
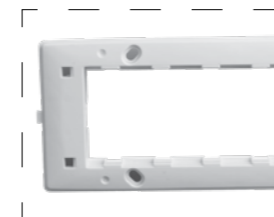


EL0031528



EL0031529

COD	Denumire
EL0031534	Rama 1 modul central
EL0031535	Rama 2 module
EL0031536	Rama 3 module
EL0031537	Rama 4 module
EL0031538	Rama 6 module
EL0031540	Suport Rama 2 module
EL0031539	Suport Rama 3 module
EL0031541	Suport Rama 4 module
EL0031542	Suport Rama 6 module
EL0031517	Intrerupator S.T, 1 modul
EL0031518	Intrerupator cap scara S.T, 1 modul
EL0031519	Intrerupator cap cruce S.T, 1 modul
EL0031520	Intrerupator cu revenire S.T, 1 modul
EL0031521	Intrerupator cu LED S.T, 1 modul
EL0031522	Intrerupator jaluzele S.T, 1 modul
EL0031532	Variator 250W S.T, 1 modul
EL0031533	Tasta Falsa, 1 modul
EL0040962	Priza Schuko S.T, 2 module
EL0031527	Priza Schuko rosie S.T, 2 module
EL0031526	Priza S.T, 1 modul
EL0031528	Priza TV S.T, 1 modul
EL0031529	Priza telefon S.T, 1 modul
EL0031530	Priza UTP cat.6e S.T, 1 modul
EL0031531	Priza 2 x USB S.T, 1 modul
EL0031524	Priza UTP cat5e 1 modul

Suport două module
EL0031540Ramă două module
EL0031535Suport trei module
EL0031539Ramă un modul
EL0031534Ramă trei module
EL0031536Suport patru module
EL0031541Ramă patru module
EL0031537Suport șase module
EL0031542Ramă șase module
EL0031538



EL0024871

EL0024872

EL0024873

EL0024874

APLICAT IP54

Cod	Denumire
EL0024871	Întreprător aplicat
EL0024872	Comutator aplicat
EL0024873	Priză aplicată cu capac și C.P.
EL0024874	Priză dublă aplicată cu capac și C.P



EL0021189

EL0021183

EL0018999

EL0020884

EL0021187

EL0040732

EL0020886

EL0020887

Cod	Denumire
EL0018999	Adaptor 3 prize rotunde
EL0020884	Dulie E27 bachelită ceramică
EL0021187	Întreprător alb
EL0021188	Întreprător negru
EL0021183	Ștecher plat alb
EL0021189	Ștecher plat negru
EL0040732	Priză schuko cu USB
EL0020886	Cupla ceramica cu CP
EL0020887	Ștecher ceramica CP cu inel
EL0039729	Mufa F_RG6
EL0039733	Mufa tv mama F
EL0039725	Mufa tv mama_9.5mm_cot 90gr
EL0039732	Mufa tv tata F
EL0039724	Mufa tv tata_9.5mm_cot 90gr
EL0039731	Prelungitor mufa F
EL0039726	Spliter profes_catv 2m
EL0039727	Spliter profes_catv 3m
EL0039728	Spliter profes_catv 4m



EL0039729

EL0039733

EL0039732

EL0039731



EL0039725

EL0039724



EL0039726

EL0039727

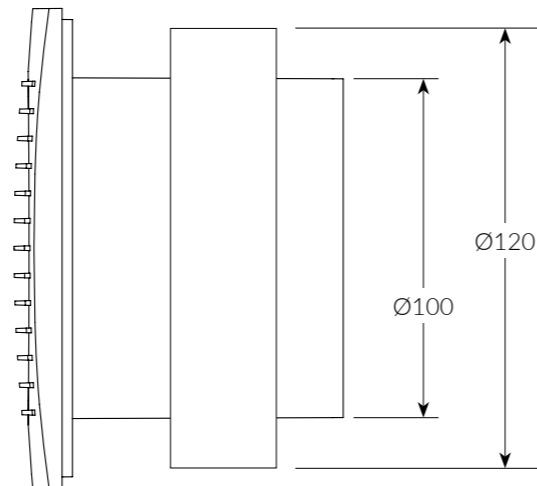
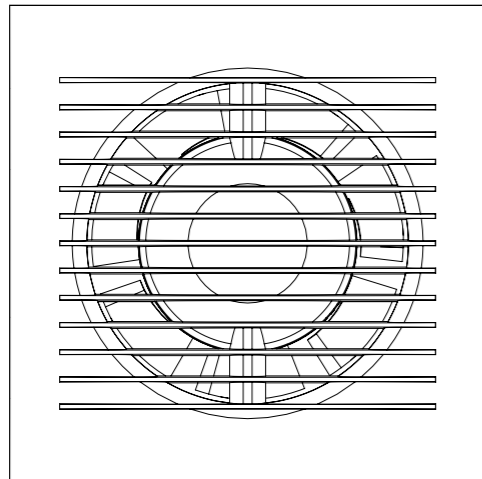
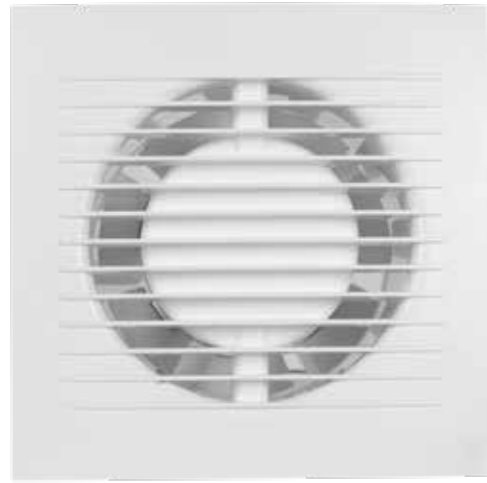
EL0039728



1

2

	Cod	Nivel sonor	Tensiune alimentare receptor	Tensiune alimentare transmițător	Distanța de utilizare
1	EL0052529	80dB	Baterii 2x1,5V DC	Baterie 12V DC tip A23	max 100m
2	EL0052530	80dB	230VAC 50Hz	Baterie 12V DC tip A23	max 100m

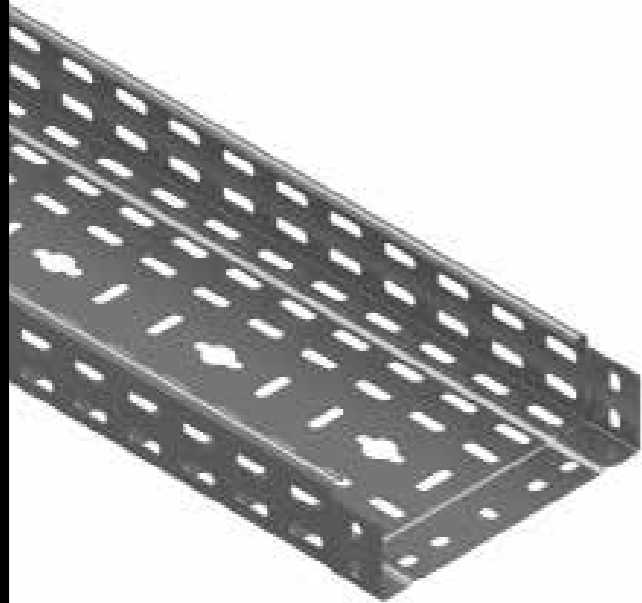
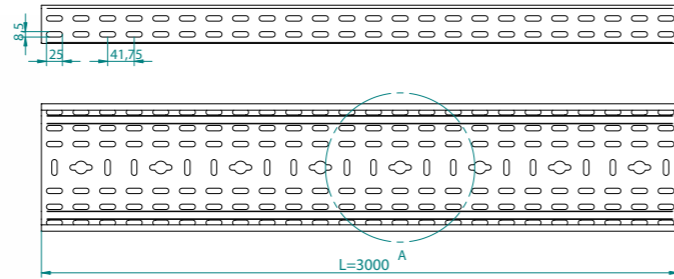


Cod	Frecvența	Debit m ³ /h	RPM	Clapetă antiretur	Timer	Senzor umiditate	Nivel de zgomot	Dimensiuni Ext/Int (mm)
EL0052321	50Hz	100	2550	Da	Nu	Nu	32dB	140x140 / Ø100
EL0052322					Da			
EL0052323					Nu			
EL0052324					Da			
Adaptor 120mm pentru Ventilator 100mm								

H60



material: oțel zincat galvanic



COD	Lățime (mm)	Înălțime (mm)	Lungime (mm)	Grosime (mm)
EL0060341	50	60	3000	0.6
EL0060342	100			
EL0060343	150			
EL0060451	200			0.7
EL0060344	300			
EL0060345	400			
EL0060346	500	1		
EL0060757	600			

EN 10346 / EN10142
pre-galvanizat

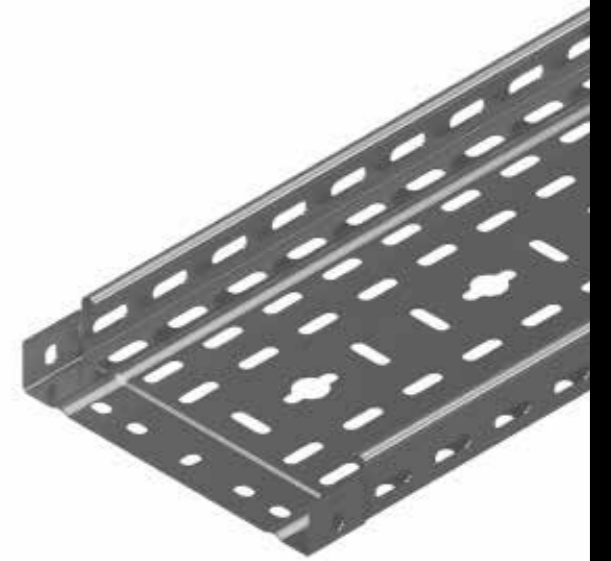
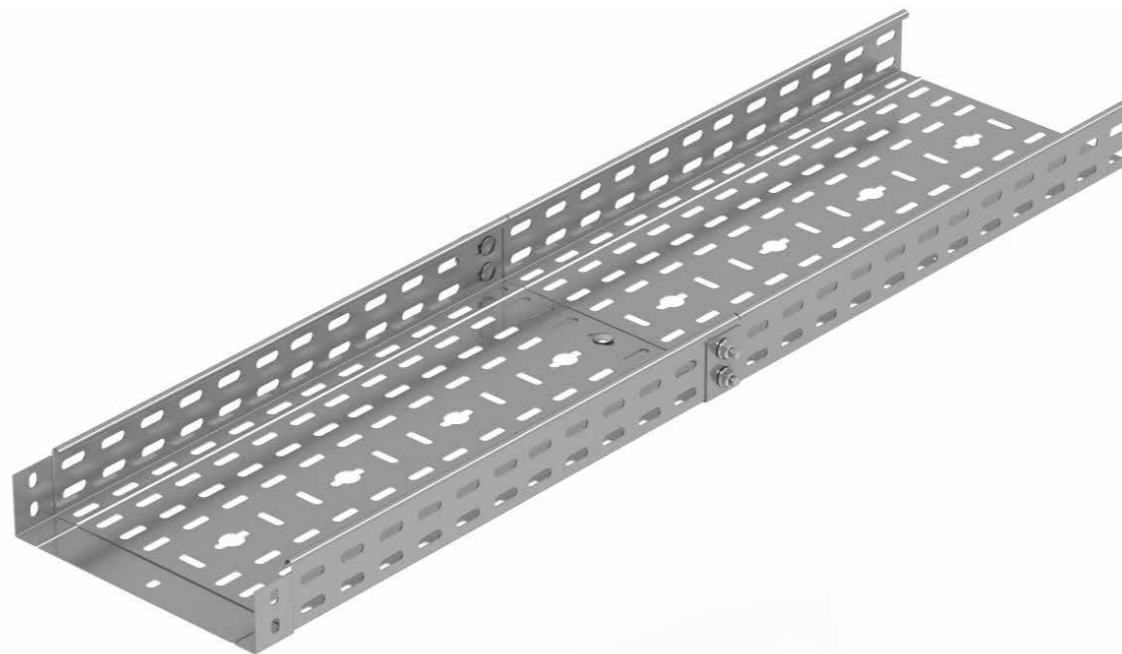
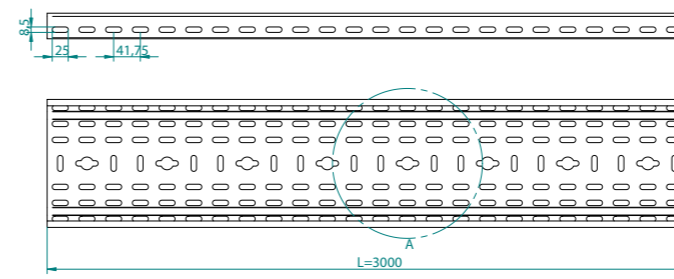
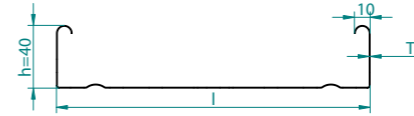
Cantități recomandate surub + piuliță / jgheab



H40



material: oțel zincat galvanic



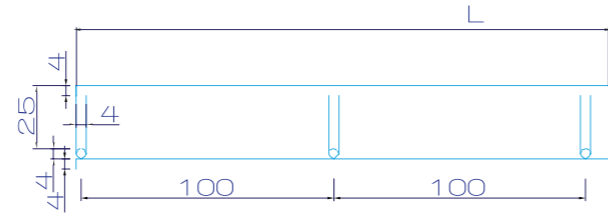
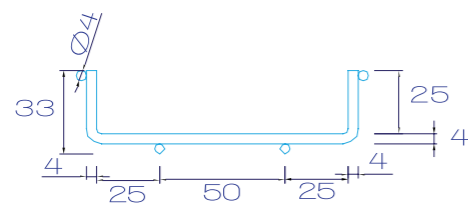
COD	Lățime (mm)	Înălțime (mm)	Lungime (mm)	Grosime (mm)
EL0060340	50	40	3000	0.6
EL0060447	100			
EL0060448	150			
EL0060449	200			0.7
EL0060450	300			

EN 10346 / EN10142
pre-galvanizat

Cantități recomandate surub + piuliță / jgheab



H35



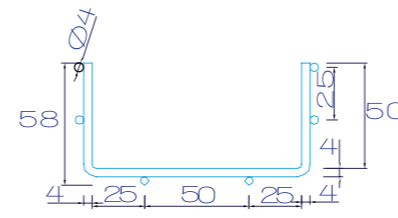
SAE 1006

TS& CE

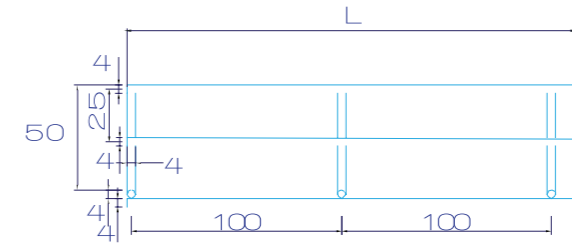
material: oțel zincat galvanic

TS& CE

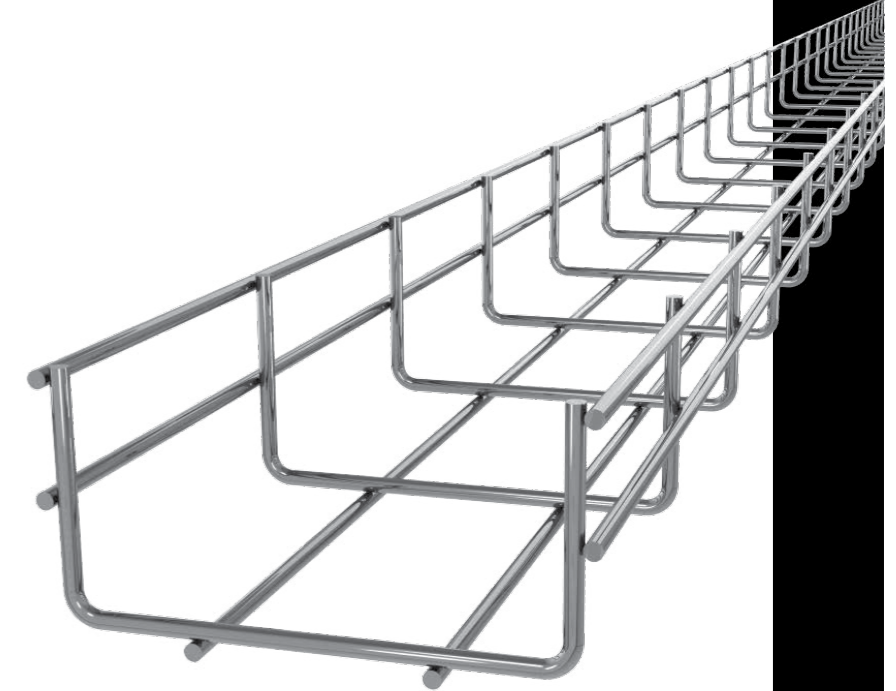
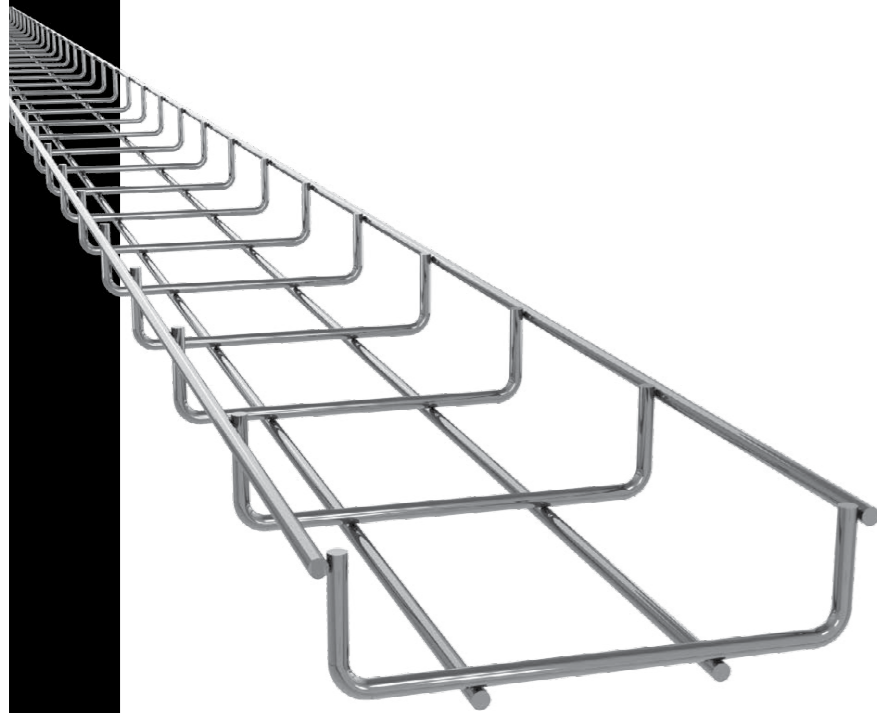
material: oțel zincat galvanic



SAE 1006



H60



COD	Lățime (mm)	Înălțime (mm)	Lungime (mm)	Grosime (mm)
EL0043526	50	35	3000	4
EL0043527	100			
EL0043528	200			
EL0043529	300			

COD	Lățime (mm)	Înălțime (mm)	Lungime (mm)	Grosime (mm)
EL0043530	50	60	3000	4
EL0043531	100			
EL0043532	200			
EL0043533	300			
EL0043535	400			

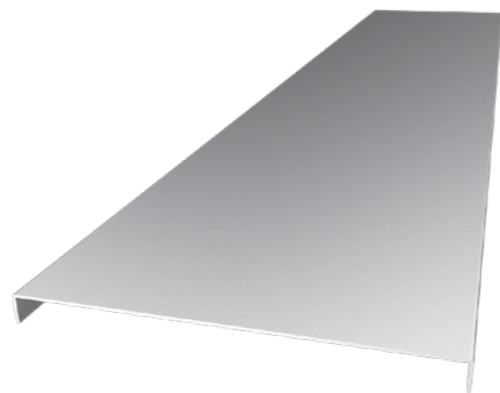


material: oțel zincat galvanic

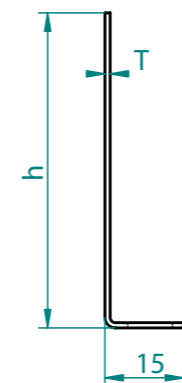


CAPAC JGHEAB

COD	Lățime (mm)	Înălțime (mm)	Lungime (mm)	Grosime (mm)
EL0041244	50	3000	15	0.6
EL0041245	100			
EL0041246	150			
EL0041247	200			
EL0041248	300			0.7
EL0041249	400			
EL0041250	500			1
EL0041251	600			

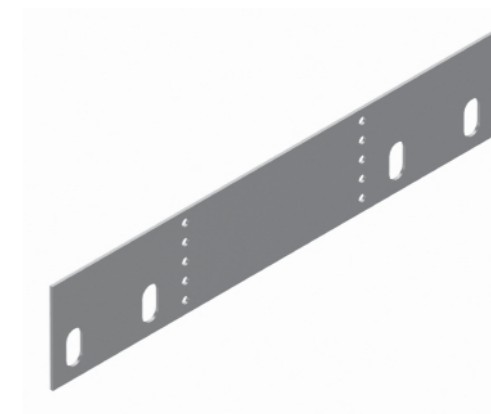
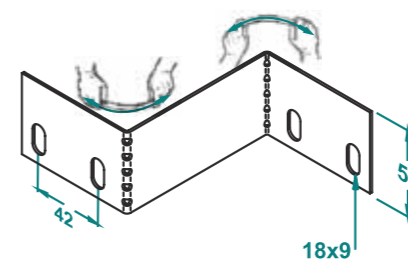
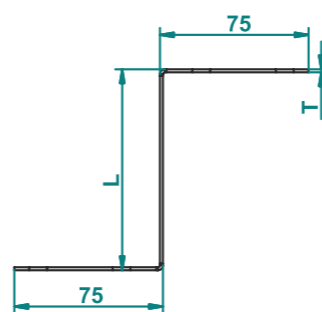
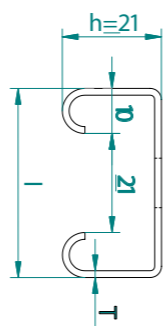
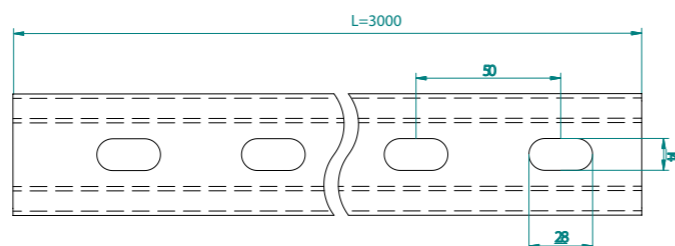
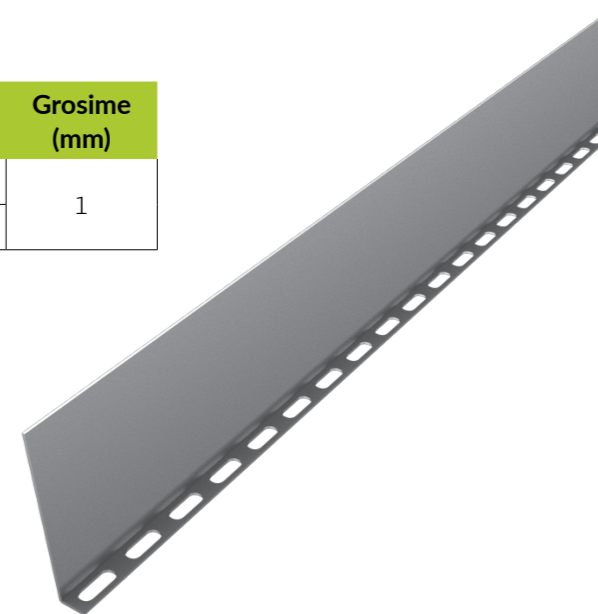
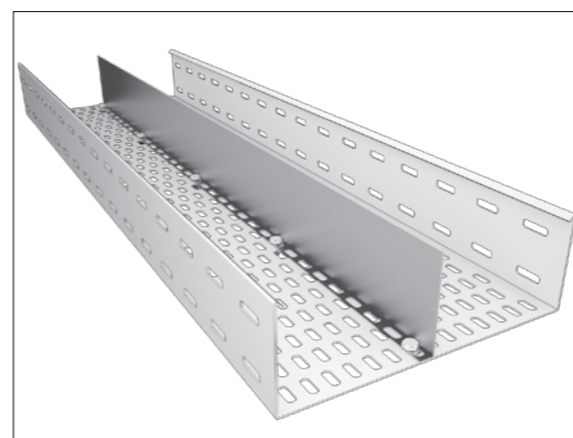


material: oțel zincat galvanic



SEPARATOR PERETE

COD	Înălțime (mm)	Lungime (mm)	Grosime (mm)
EL0041254	40	3000	1
EL0041253	60	3000	

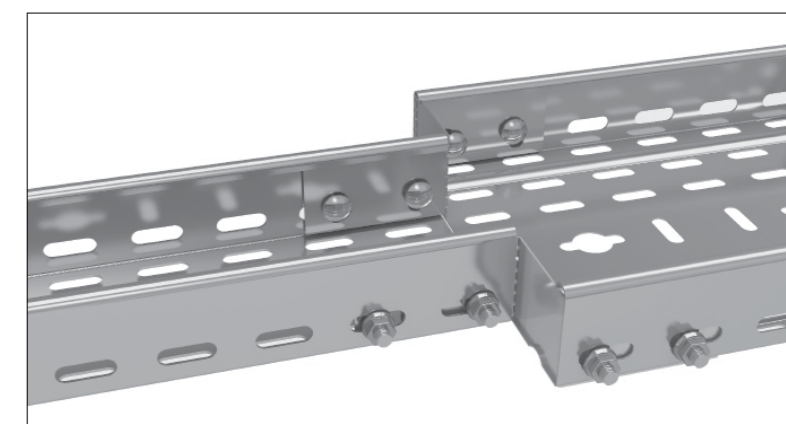


ȘINĂ C

COD	Lățime (mm)	Înălțime (mm)	Lungime (mm)	Grosime (mm)
EL0041252	41	21	3000	1.2

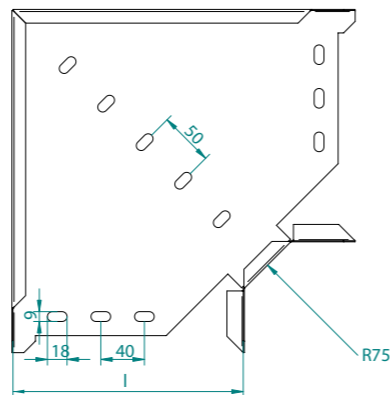
REDUCTIE JGHEAB METALIC

COD	Lungime (mm)	Grosime (mm)
EL0060478	50	1,5
EL0060479	100	1,5
EL0060480	150	1,5
EL0060481	200	1,5
EL0060482	250	1,5
EL0060483	300	1,5

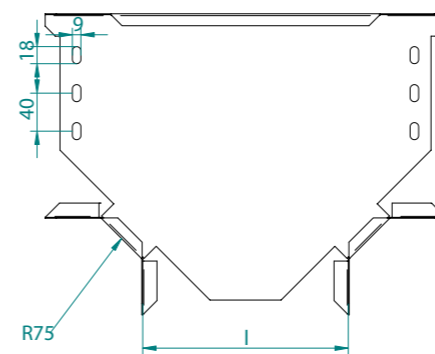


H40 H60**COT ORIZZONTAL 90°**

material: oțel zincat galvanic



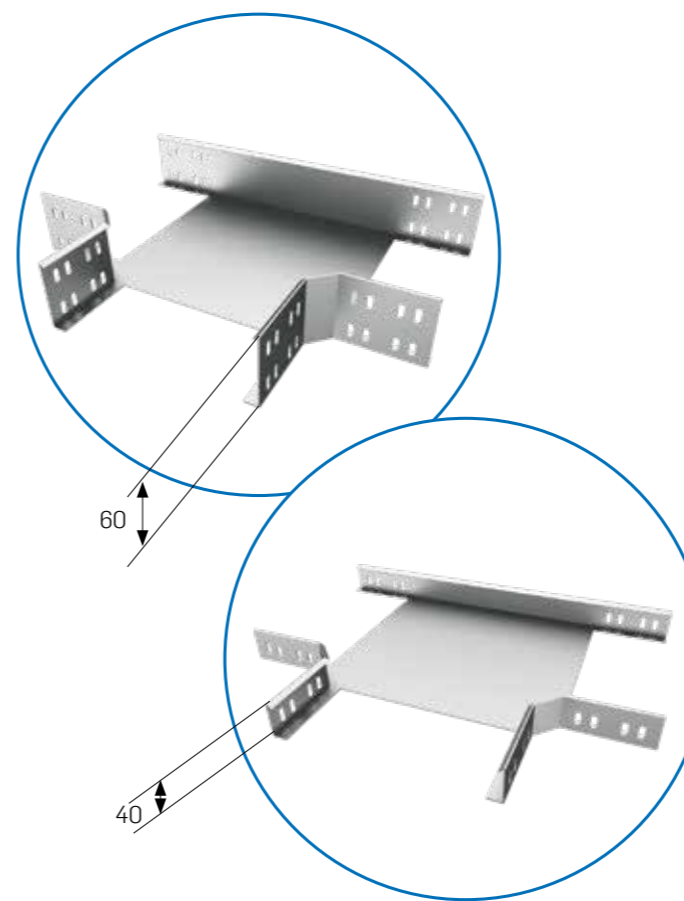
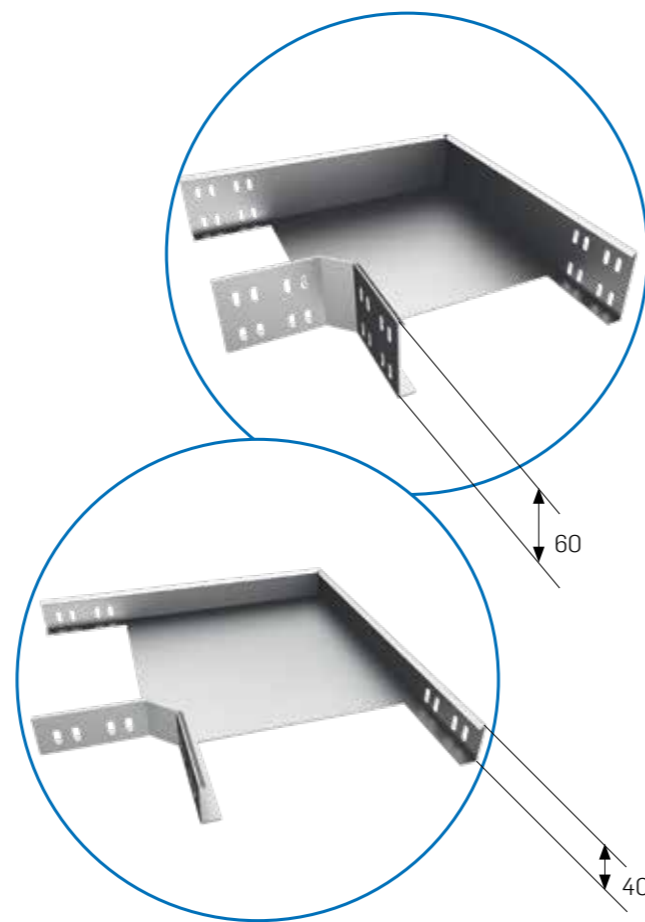
material: oțel zincat galvanic

**H40 H60****PIESĂ T ORIZZONTALĂ****H60**

COD	Lățime (mm)	Grosime (mm)
EL0041260	50	1
EL0041261	100	
EL0041262	150	
EL0041263	200	
EL0041264	300	
EL0041265	400	1.2
EL0041266	500	
EL0041267	600	

H40

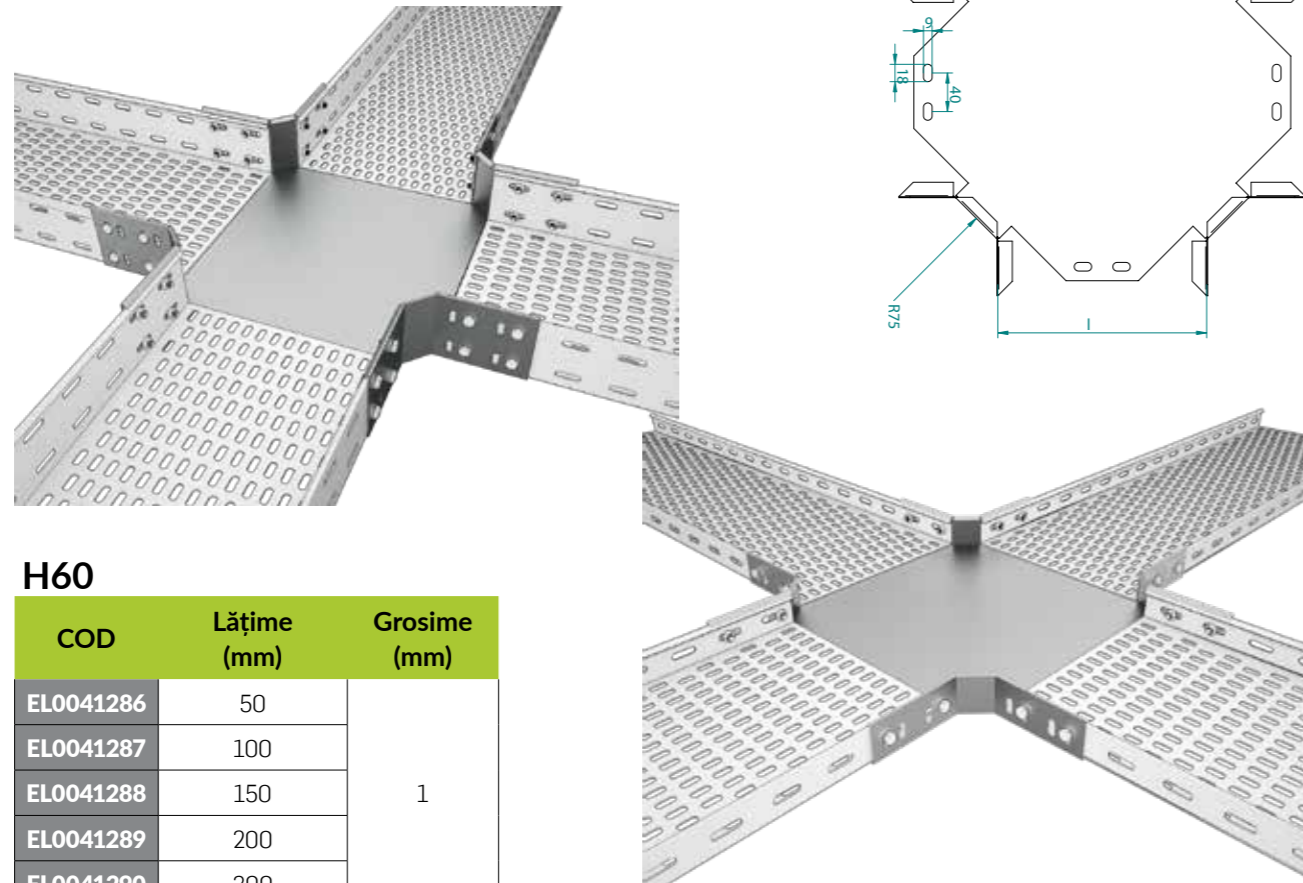
COD	Lățime (mm)	Grosime (mm)
EL0041255	50	1
EL0041256	100	
EL0041257	150	
EL0041258	200	
EL0041259	300	

**H60**

COD	Lățime (mm)	Grosime (mm)
EL0041273	50	1
EL0041274	100	
EL0041275	150	
EL0041276	200	
EL0041277	300	
EL0041278	400	1.2
EL0041279	500	
EL0041280	600	

H40

COD	Lățime (mm)	Grosime (mm)
EL0041268	50	1
EL0041269	100	
EL0041270	150	
EL0041271	200	
EL0041272	300	

H40 H60**PIESĂ CRUCE**

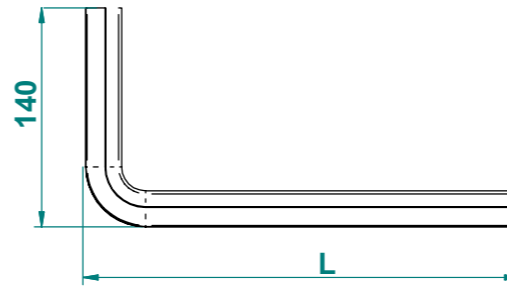
material: oțel zincat galvanic



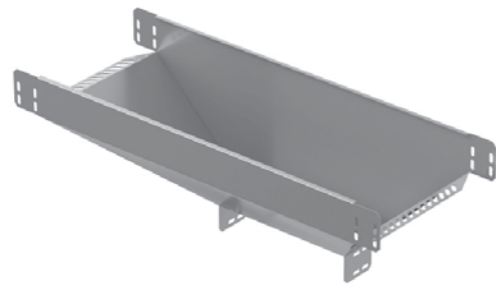
material: oțel zincat galvanic

CONSOLĂ

COD	Lățime (mm)	Grosime (mm)
EL0041294	130	2
EL0041295	180	
EL0041296	230	
EL0041297	330	
EL0041298	430	
EL0041299	530	
EL0041300	630	

**H60**

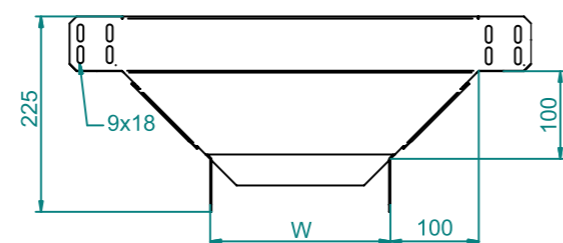
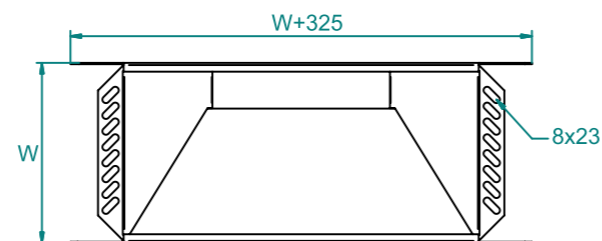
COD	Lățime (mm)	Grosime (mm)
EL0041286	50	1
EL0041287	100	
EL0041288	150	
EL0041289	200	
EL0041290	300	
EL0041291	400	1.2
EL0041292	500	
EL0041293	600	

**PIESA T VERTICALA**

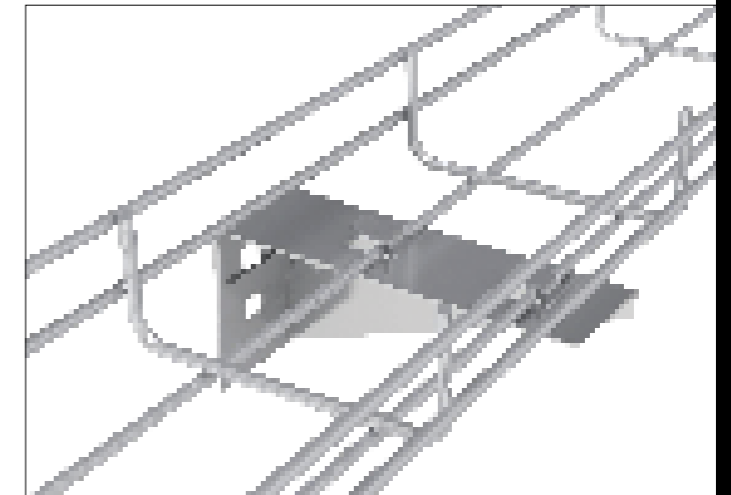
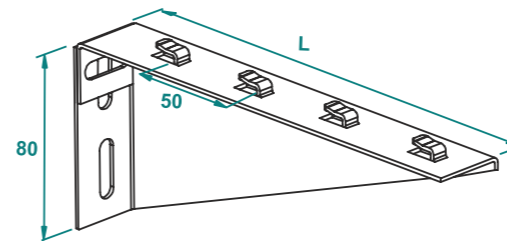
COD	Lățime (mm)	Grosime (mm)
EL0060471	100	1
EL0060472	150	
EL0060473	200	
EL0060474	300	1,2
EL0060475	400	1,5
EL0060476	500	
EL0060477	600	

H40

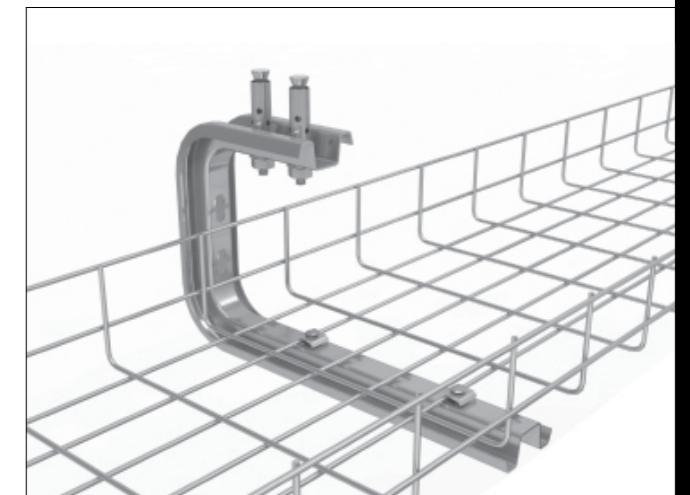
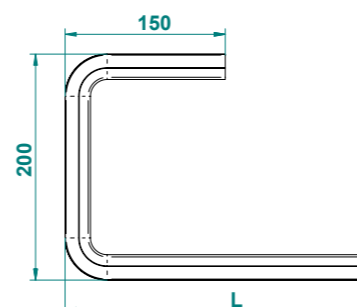
COD	Lățime (mm)	Grosime (mm)
EL0041281	50	1
EL0041282	100	
EL0041283	150	
EL0041284	200	
EL0041285	300	



COD	Lățime (mm)
EL0060455	130
EL0060456	230
EL0060457	330
EL0060458	430

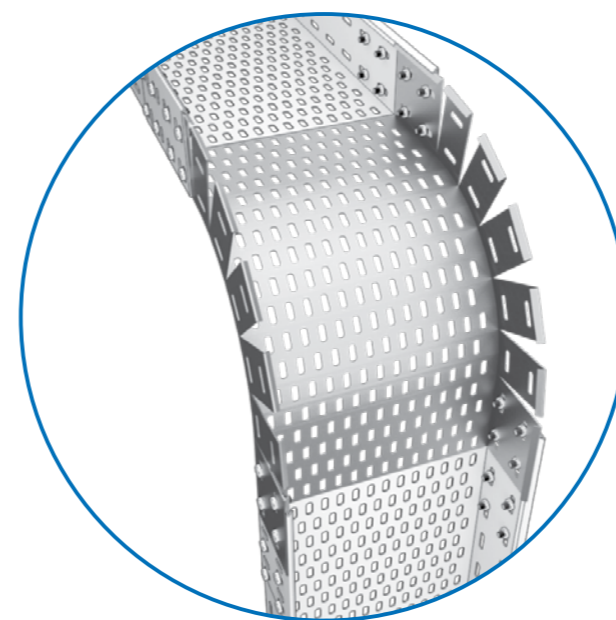
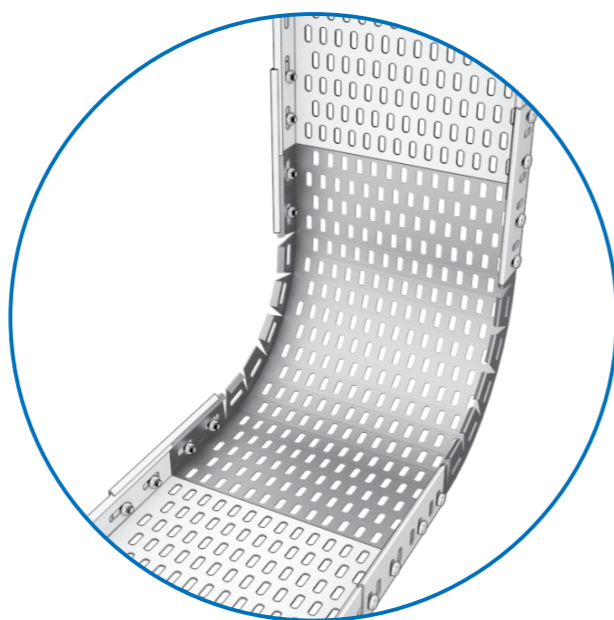
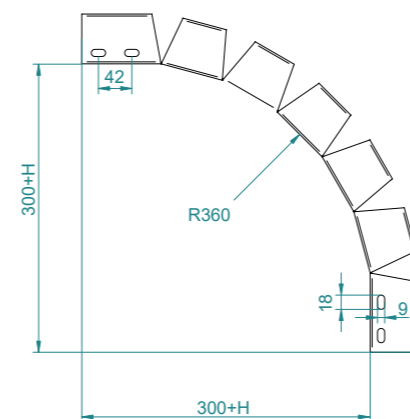
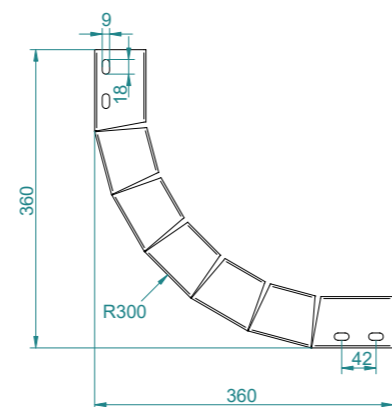
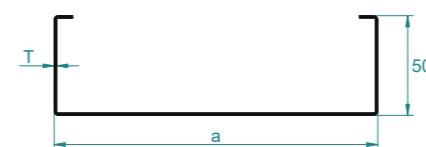
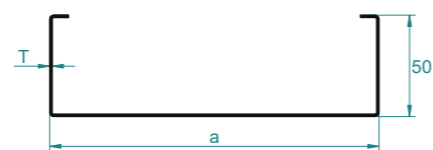
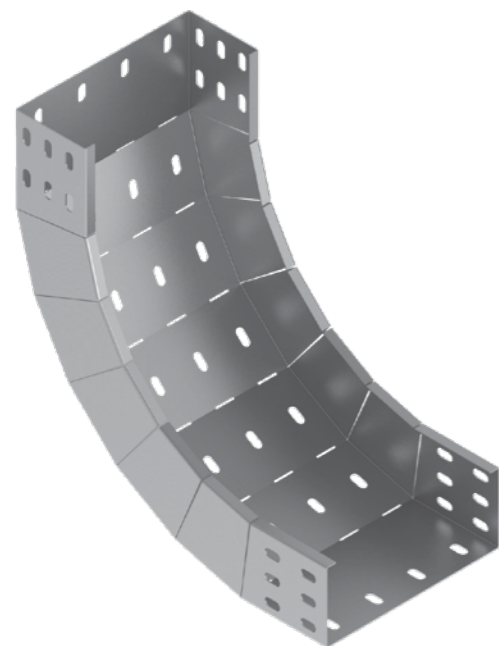


COD	Lățime (mm)
EL0060485	145
EL0060486	245
EL0060488	345



H40 H60

COT INTERN JGHEAB METALIC



H40

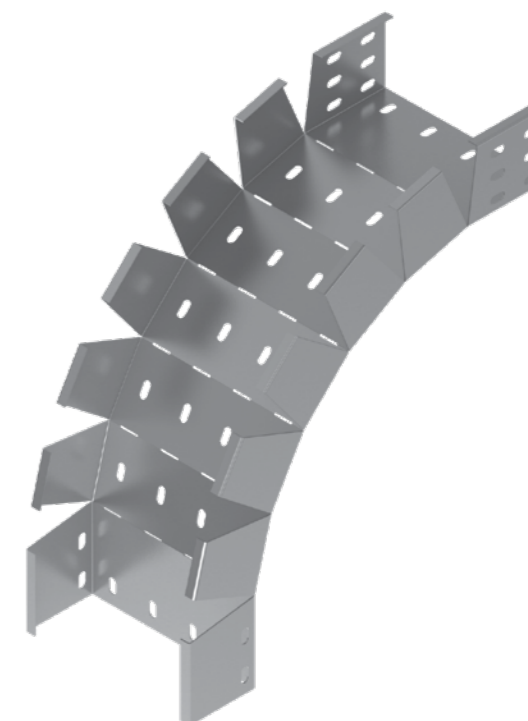
COD	Lățime (mm)	Înălțime (mm)	Grosime (mm)
EL0051862	50	40	1
EL0051863	100	40	1

H60

COD	Lățime (mm)	Înălțime (mm)	Grosime (mm)
EL0051858	50	60	1
EL0051859	100	60	1
EL0051860	200	60	1.2
EL0051861	300	60	1.5

H40 H60

COT EXTERN JGHEAB METALIC



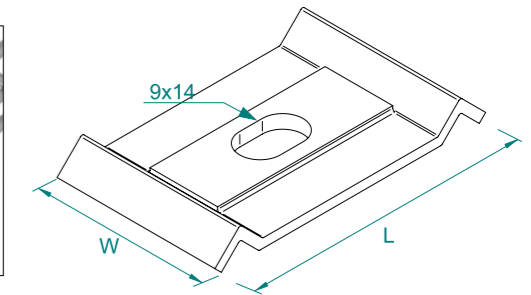
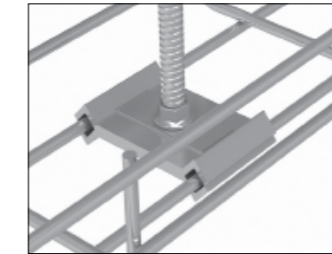
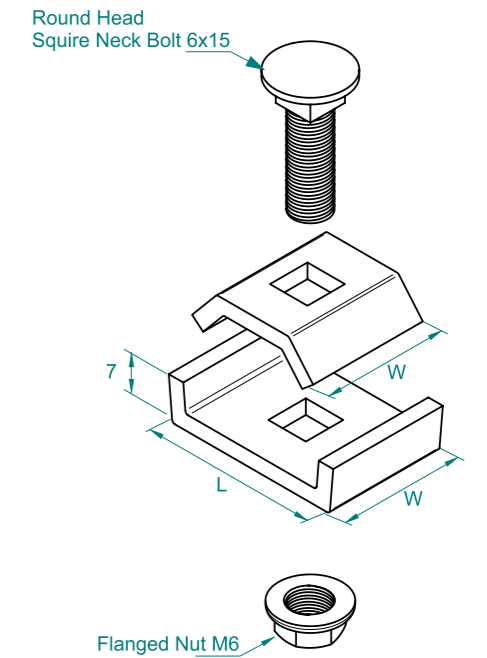
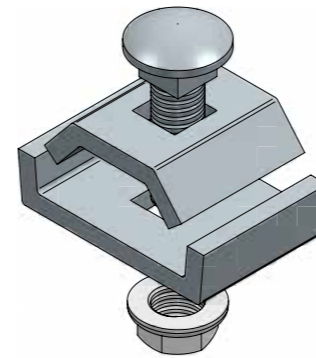
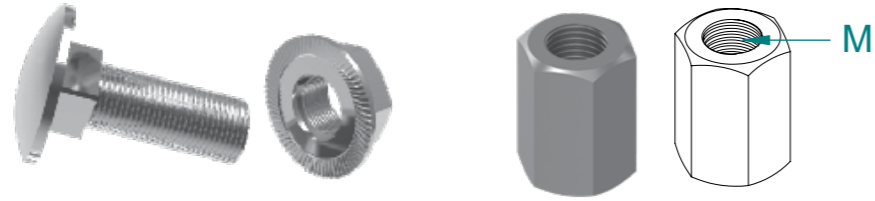
H40

COD	Lățime (mm)	Înălțime (mm)	Grosime (mm)
EL0051868	50	40	1
EL0051869	100	40	1

H60

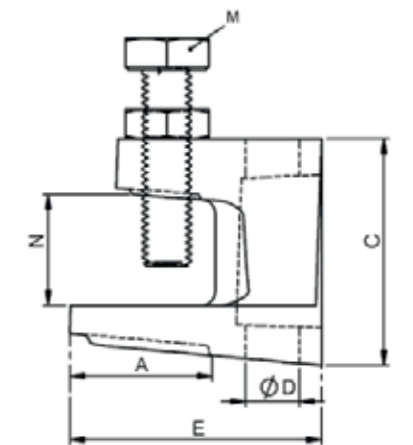
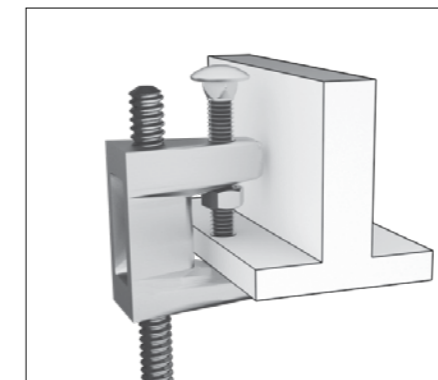
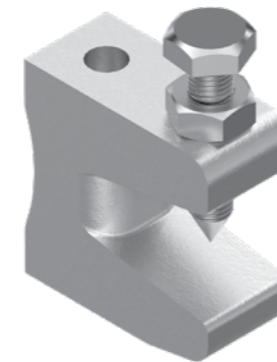
COD	Lățime (mm)	Înălțime (mm)	Grosime (mm)
EL0051864	50	60	1
EL0051865	100	60	1
EL0051866	200	60	1.2
EL0051867	300	60	1.5
EL0027183	150	60	1

COD	Denumire	Lățime (mm)	Grosime (mm)
EL0041302	SURUB+PIULIȚĂ	15	M6
EL0043783			M8
EL0029106	TIJA FILETATĂ	1000	8
EL0029451		2000	8
EL0051849	CUPLĂ TIJA FILETATĂ	-	M8



SUPORT FIXARE PERETE SAU PODEA

COD	Lățime (mm)
EL0060459	50
EL0060460	100
EL0060461	150
EL0060462	200
EL0060463	300
EL0060464	400
EL0060465	500
EL0060466	600

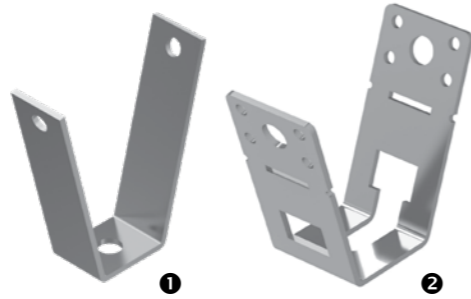
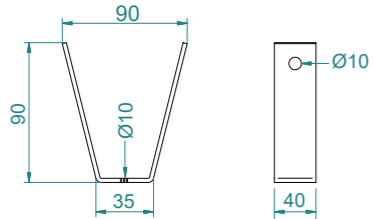
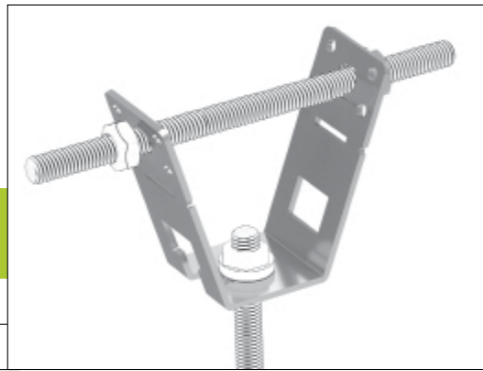


COD	Denumire	W	L	Grosime (mm)
EL0043534	PIESA ÎMBINARE	35	60	2
EL0043523	PIESA DE ATÂRNARE	35	60	2,5
		TIJA	Diametru (mm)	
EL0051850	MENGHINA TIJA FILETATA	M10	11	
EL0056496	MENGHINA TIJA FILETATA	M8	9	

☑ pentru jigheabul de sârmă

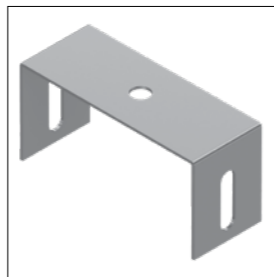
PIESE PENTRU FIXARE - ATÂRNARE

	COD	Denumire	Grosime (mm)
1	EL0051851	PIESA V ATARNARE	3
2	EL0060467	SUPPORT AJUSTABIL PRINDERE TAVAN	2,5



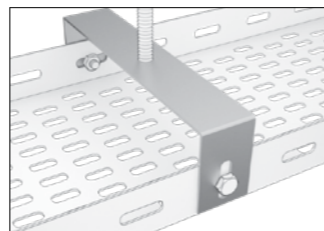
CLEMA PRINDERE

	COD	Denumire	Înălțime (mm)	Grosime (mm)
	EL0051856	CLEMA PRINDERE CAPAC	40	2
	EL0051857	CLEMA PRINDERE CAPAC	60	



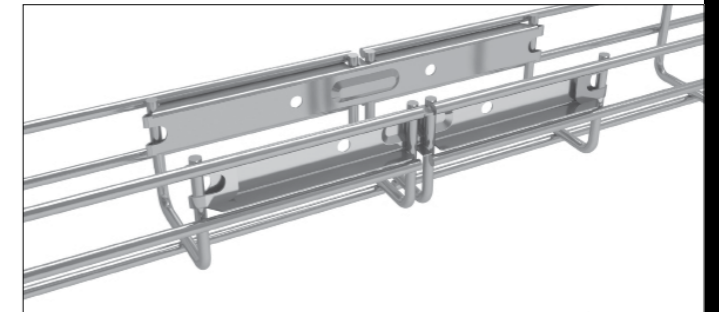
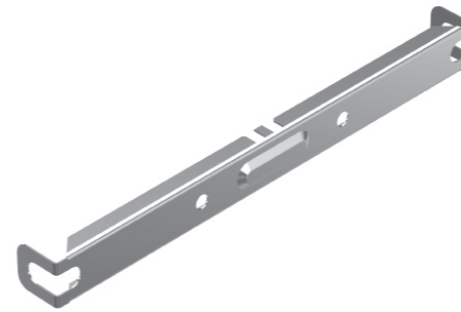
SUPPORT ATARNARE

	COD	Denumire	Lățime (mm)	Grosime (mm)
	EL0051852	SUPPORT ATARNARE JGHEAB METALIC	55	1.5
	EL0051853	SUPPORT ATARNARE JGHEAB METALIC	105	
	EL0051854	SUPPORT ATARNARE JGHEAB METALIC	205	2
	EL0051855	SUPPORT ATARNARE JGHEAB METALIC	305	



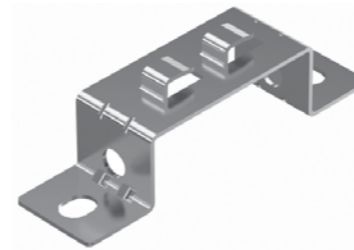
CONECTOR RAPID JGHEAB

EL0060453



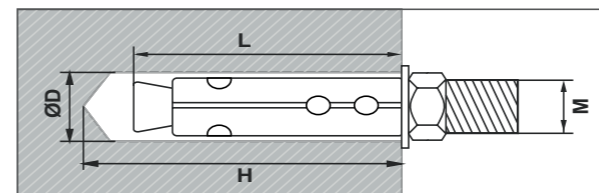
PIESA SUSPENDARE JGHEAB

EL0060454



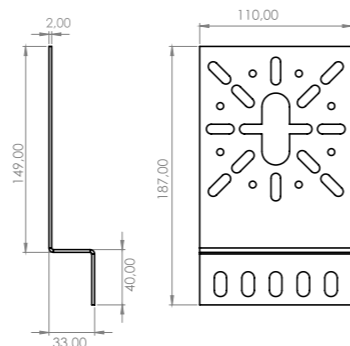
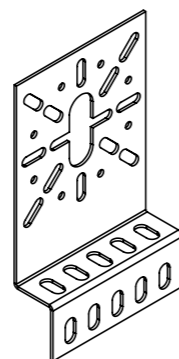
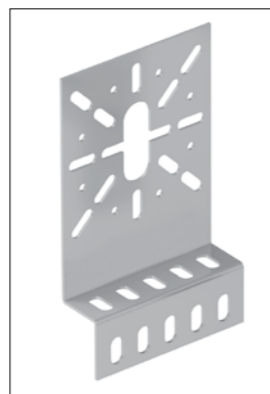
ANCORA EXPANDABILA M8

EL0060468



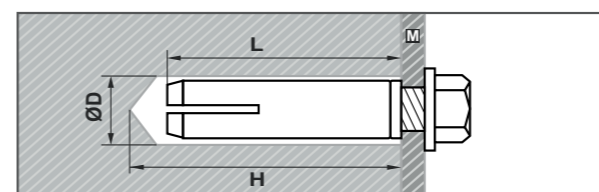
SUPPORT MONTARE DOZA PE JGHEAB

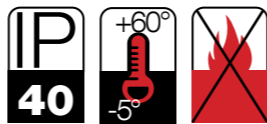
EL0060470



ANCORA M8

EL0060469

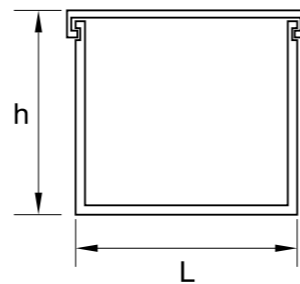




SIMPLU

TS EN 5085
2014/35/EU CE

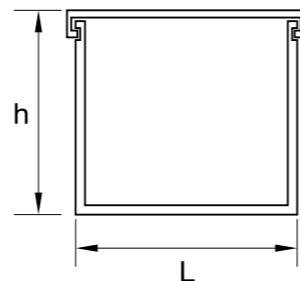
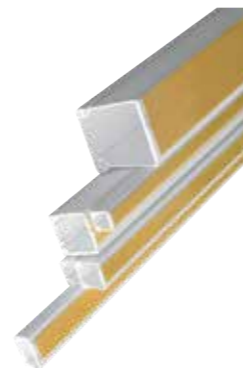
Cod	Dimensiuni (mm) l x h x L	Grosime	Culoare	Ambalare (m)	Material
EL0017359	12 x 12 x 2000	0,65	Alb	200m	PVC Ignifug
EL0017362	15 x 10 x 2000	0,65		200m	
EL0017363	16 x 16 x 2000	0,7		100m	
EL0017364	20 x 10 x 2000	0,7		140m	
EL0017365	25 x 16 x 2000	1,2		80m	
EL0017366	25 x 25 x 2000	0,9		50m	
EL0017367	40 x 16 x 2000	1		60m	
EL0017368	40 x 25 x 2000	1,2		50m	
EL0017369	40 x 40 x 2000	1,2		40m	
EL0017370	60 x 40 x 2000	1,2		30m	
EL0017371	60 x 60 x 2000	1,4		32m	
EL0017372	80 x 40 x 2000	1,4		30m	
EL0017373	80 x 60 x 2000	1,4		24m	
EL0017377	100 x 40 x 2000	1,5		20m	
EL0017374	100 x 60 x 2000	1,7		20m	
EL0017375	120 x 60 x 2000	1,9	16m		



CU BANDĂ ADEZIVĂ

TS EN 5085
2014/35/EU CE

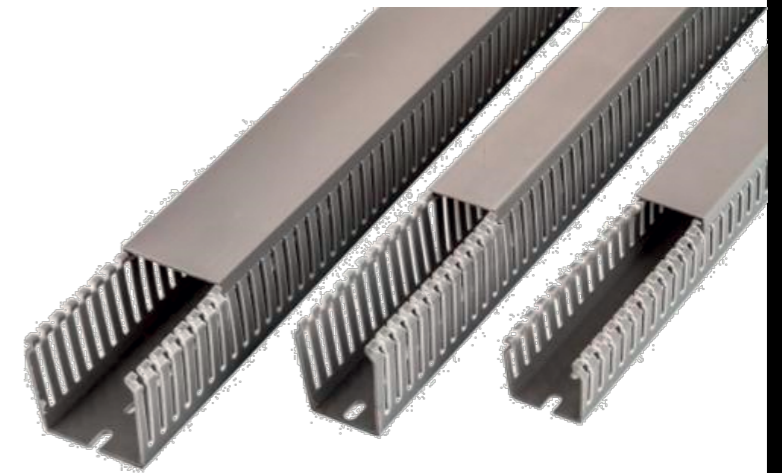
Cod	Dimensiuni (mm) l x h	Grosime	Culoare	Ambalare (m)	Material
EL0017432	12 x 12 x 2000	0,65	Alb	200m	PVC Ignifug
EL0017433	15 x 10 x 2000	0,65		200m	
EL0017434	16 x 16 x 2000	0,7		100m	
EL0017435	20 x 10 x 2000	0,7		140m	
EL0017436	25 x 16 x 2000	1,2		80m	
EL0017437	25 x 25 x 2000	0,9		50m	
EL0017843	40 x 16 x 2000	1		60m	
EL0017844	40 x 25 x 2000	1,2		50m	
EL0017845	40 x 40 x 2000	1,2		40m	



PERFORAT

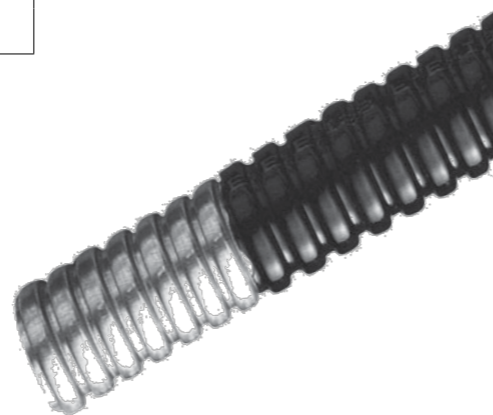
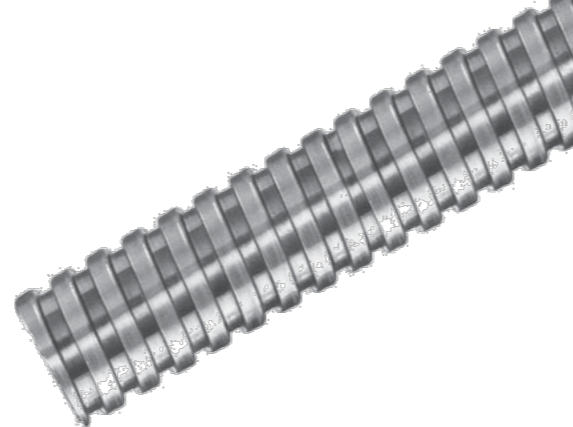
CE

Cod	Dimensiuni (mm) l x h x L	Culoare	Ambalare (m)	Material
EL0051295	25 x 25 x 2000	gri	120m	PVC Ignifug
EL0051296	25 x 60 x 2000		80m	
EL0057712	40 x 40 x 2000		50m	
EL0044892	40 x 60 x 2000		48m	
EL0044893	60 x 60 x 2000		32m	
EL0044894	80 x 60 x 2000		24m	
EL0044895	100 x 60 x 2000		16m	



TUB FLEXIBIL METALIC

Cod	Diametru (mm)	Ambalare (colac/m)	Material
EL0043229	Ø 9	50	otel zincat
EL0043231	Ø 11		
EL0043232	Ø 14		
EL0043233	Ø 16		
EL0043234	Ø 18		
EL0043235	Ø 21		
EL0043236	Ø 26	25	
EL0043237	Ø 29		
EL0043238	Ø 37		



TUB FLEXIBIL METALIC CU IZOLATIE PVC

Cod	Diametru (mm)	Ambalare (colac/m)	Material	Culoare
EL0043239	Ø 9	50	otel zincat imbracat in PVC	Negru
EL0043240	Ø 11			
EL0043241	Ø 14			
EL0043242	Ø 16			
EL0043243	Ø 18			
EL0043244	Ø 21			
EL0043245	Ø 26	25		
EL0043246	Ø 29			
EL0043247	Ø 32			
EL0043248	Ø 35			
EL0043249	Ø 37			
EL0043250	Ø 40			

BANDA IZOLATOARE PVC

COD	Culoare	Dimensiune (mm)	Grosime (mm)	Ignifuga
EL0043506	NEGRU	1000 x 19	0.15-0.19	Da
EL0043507	ALB			Da
EL0043508	ROSU			Da
EL0043509	BLEU			Da
EL0043510	VERDE			Da
EL0051306	GALBEN			Da
EL0051307	VERDE-GALBEN	2000 x 19		Da
EL0043511	ALB			Da
EL0043512	NEGRU			Da
EL0043513	ROSU			Da
EL0043514	GALBEN			Da
EL0043515	BLEU			Da
EL0043516	VERDE	Da		
EL0043517	VERDE-GALBEN	Da		



CLEME ȘIR

COD	Sectiune cablu mm ²	Amperaj max Ah	Dimensiuni (mm)
EL0043518	4	3	88 x 15 x 10
EL0043519	6	5	107 x 14 x 12
EL0043520	10	10	110 x 17 x 12
EL0043521	12	15	125 x 16 x 13
EL0043522	14	20	125 x 19 x 13
EL0043524	16	30	152 x 19 x 14
EL0048170	25	60	166 x 23 x 20



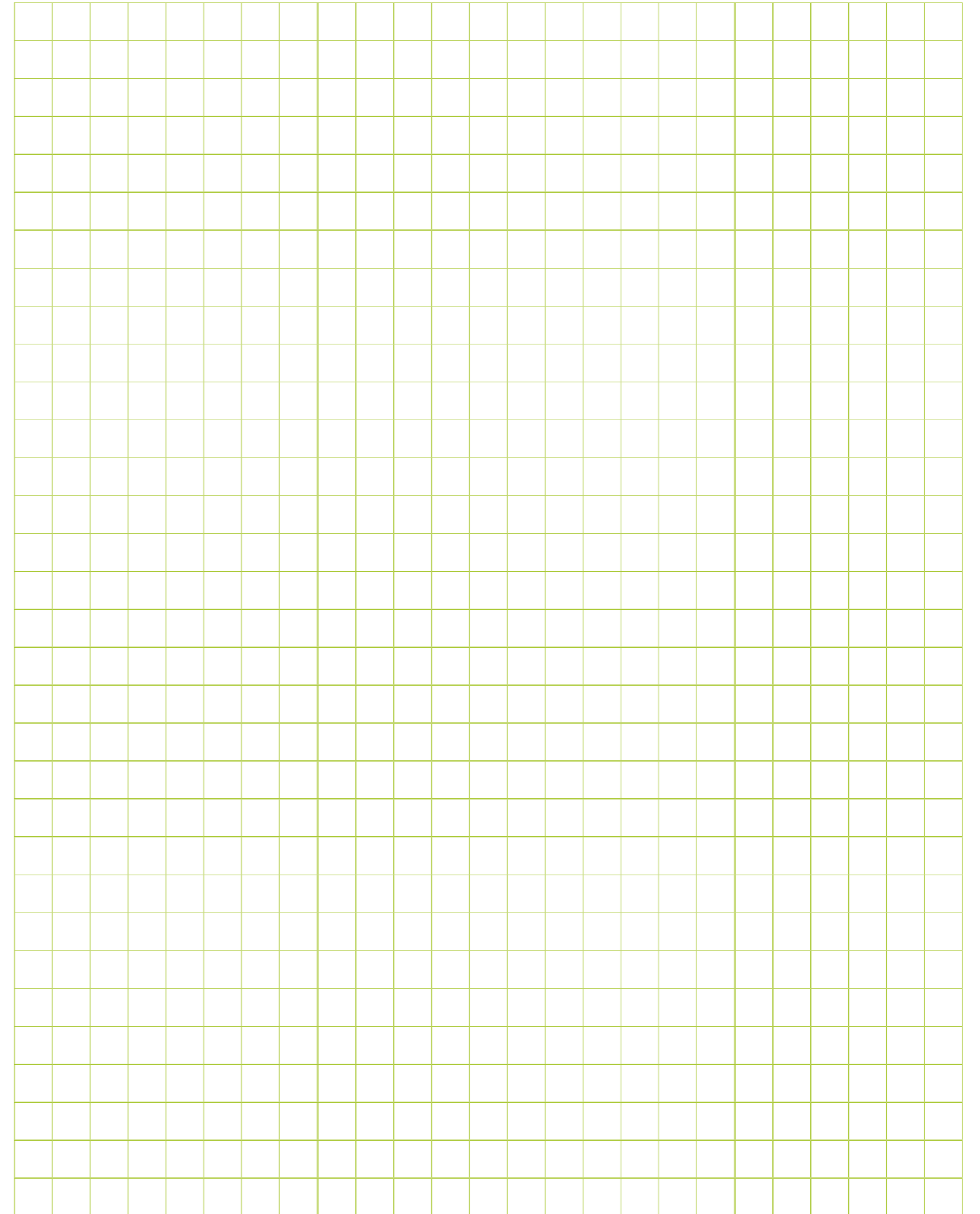
CABLU COAXIAL

Cod	Denumire
EL0017645	Cablu coaxial



COLIER CABLU

Cod	Culoare	Dimensiuni (mm) L x l	Pachet
EL0047475	Alb	100 x 2.5	100 buc
EL0043480		150 x 2.5	
EL0043481		150 x 3.6	
EL0047476		200 x 2.5	
EL0043482		200 x 3.6	
EL0043487		200 x 4.8	
EL0043483		250 x 3.6	
EL0043488		250 x 4.8	
EL0043484		280 x 3.6	
EL0043485		300 x 3.6	
EL0043489		300 x 4.8	
EL0047270		300 x 7.2	
EL0043490		350 x 4.8	
EL0047309		350 x 7.2	
EL0043486		370 x 3.6	
EL0043491		370 x 4.8	
EL0043492		400 x 4.8	
EL0047312		400 x 7.2	
EL0047388	450 x 10		
EL0043493	Negru	100 x 2.5	100 buc
EL0043494		150 x 2.5	
EL0047416		150 x 3.6	
EL0047405		200 x 2.5	
EL0043495		200 x 3.6	
EL0047477		200 x 4.8	
EL0047420		250 x 3.6	
EL0047478		250 x 4.8	
EL0047435		280 x 3.6	
EL0043496		300 x 3.6	
EL0047480		300 x 4.8	
EL0047479		300 x 7.2	
EL0043497		350 x 4.8	
EL0043499		370 x 4.8	



Iași

B-dul. Chimiei nr. 12, Corp C5/01
Iași, jud. Iași
office_is@elbielectric.ro

Baia Mare

Str. Vasile Lucaciu nr. 162,
Baia Mare, jud. Maramureș
office_mm@elbielectric.ro

Glina

DN-CB nr. 316
Glina, jud. Ilfov
office@elbielectric.ro

Timișoara

Calea Aradului nr. 48
Timișoara, jud. Timiș
office_tm@elbielectric.ro

Constanța

Str. Aurel Vlaicu nr. 145
Constanța, jud. Constanța
office_ct@elbielectric.ro

Afumați

Sos. Bcurești-Urziceni, Doraly,
pavilion P7
Afumați, jud. Ilfov
office@elbielectric.ro

Brașov

B-dul. 13 Decembrie nr. 94A,
hala H10
Brașov, jud. Brașov
office_bv@elbielectric.ro

**UNIVERSUL
ELECTRICELOR****Pitești**

DN65B, K105
Pitești, jud. Argeș
magazin.pitesti@elbielectric.ro

Sibiu

Calea Surii Mici nr. 57
Sibiu, jud. Sibiu
magazin.sibiu@elbielectric.ro

Oradea

Piața Episcop Igantie Darbañ nr. 15
Oradea, jud. Bihor
magazin.oradea@elbielectric.ro

Cluj-Napoca

Str. Câmpina nr. 47
Cluj-Napoca, jud. Cluj
magazin.cluj@elbielectric.ro

Timișoara

Calea Stan Vidrighin nr. 20
Timișoara, jud. Timiș
magazin.timisoara@elbielectric.ro

Târgu Mureș

Gheroghe Doja nr. 193
Târgu Mureș, jud. Mureș
magazin.mures@elbielectric.ro

Ploiești

Str. Stefan cel Mare nr. 10
Ploiesti, jud. Parahova
magazin.ploiesti@elbielectric.ro

Arad

Str. Calea Radnei nr. 288A
Arad, jud. Arad
magazin.arad@elbielectric.ro

Bistrița

Str. Libertății nr. 1A
Bisitrița, jud. Bistrița-Năsăud
magazin.bistrita@elbielectric.ro

Constanța

Str. Aurel Vlaicu nr. 145
Constanța, jud. Constanța
magazin.constanta@elbielectric.ro

**Sediul Central:**

Adresă: Șos. Alexandriei nr.76-89, Bragadiru – Ilfov
phone: +40 (21) 420 06 72 / +40 (21) 420 06 73 / +40 (21) 420 23 41 / +40 (21) 420 57 62
e-Mail: office@elbielectric.ro
web: www.elbielectric.ro